


Rural is a concrete drinking fountain. Its design is inspired by the piles of stones used to create old countryside springs. It consists of a large-diameter, stainless steel, curved pipe, a press button tap and a concrete base with a pitted finish to maintain the appearance of natural rock, polished on the surface where the water pipe emerges and acid-etched inside the bowl, to recreate the shapes produced by the slow erosion of water flowing over rocks.

Concrete | Stainless steel |  88 cm |  820 kg

 Update 31.01.2022



Origin

Designed with the idea of influencing natural open spaces, it was created to illustrate what children discover when playing near a river or a waterfall: that a scoop shape in a stone is the simplest and most natural way to collect water.

Material

Monobloc concrete body with connection ducts and drain built into the moulded concrete volume. With a large-diameter stainless steel spout that guarantees resistance. It has a timer press button action mechanism freely available in the market which is easy to use and is supplied with a spare for use in the event of blockage or wear caused by use.

Installation

Recessed 15 centimetres below the paving, resting on an “on site” strip footing of 65 x 65 x 45 cm. It requires the installation of a box for the shut-off valve and filter, and a second separate box or siphon drainage system.





1. Drinking fountains

Rural

Dimensions 88 x 74 x 121 (136) cm

Weight 820 kg

1.1 General features

Base Reinforced concrete **Fixing** Embedded

Finish Bush hammered and waterproofed

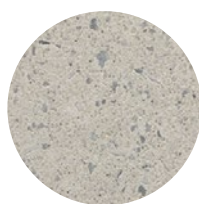
Pump AISI 316L Sainless steel

Button Timed, chrome-plated

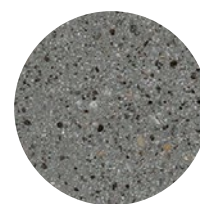
Colours



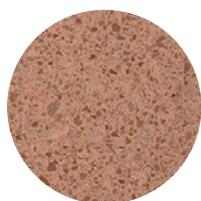
GR. Grey



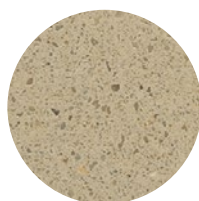
BL. White



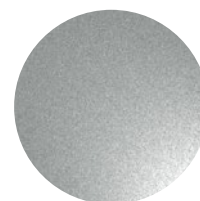
CA. Grey CA



RA. Red



BG. Beige

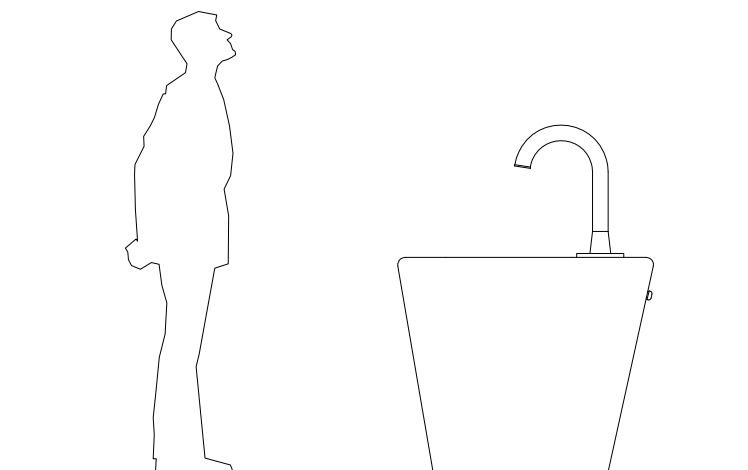


A. AISI 316L Sainless steel

1.2 Installation system

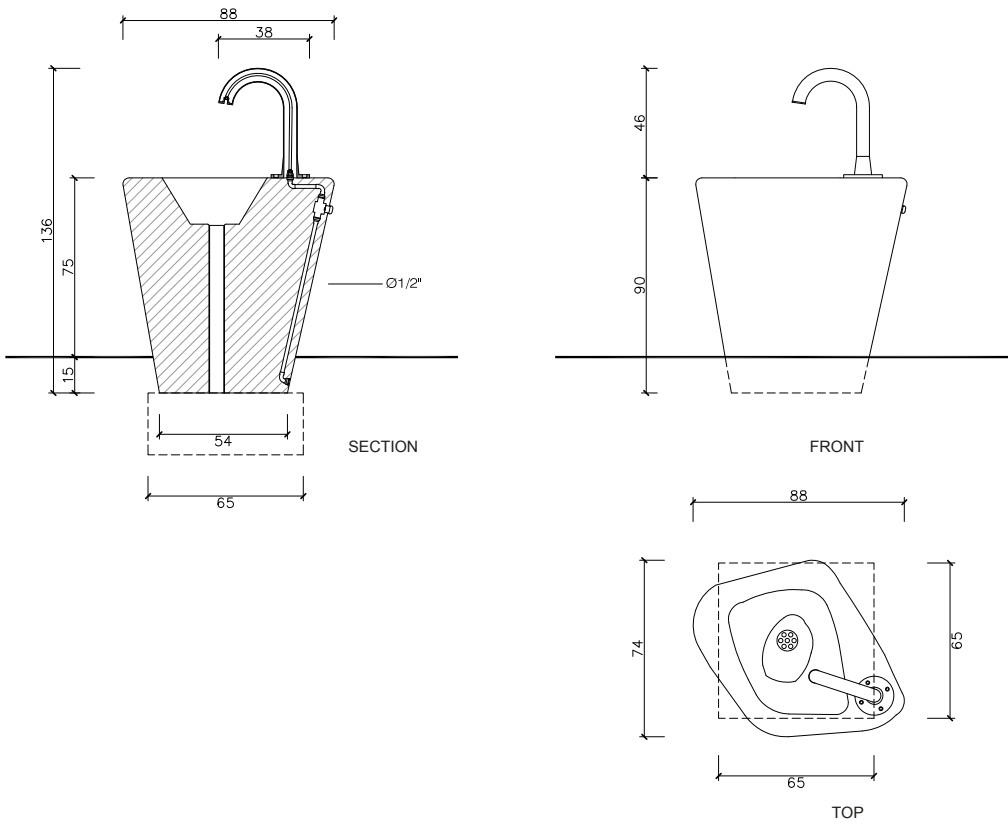
Hoisting
(W= 820 kg)

Installation
Prepare the ground according to the graph, place the fountain.

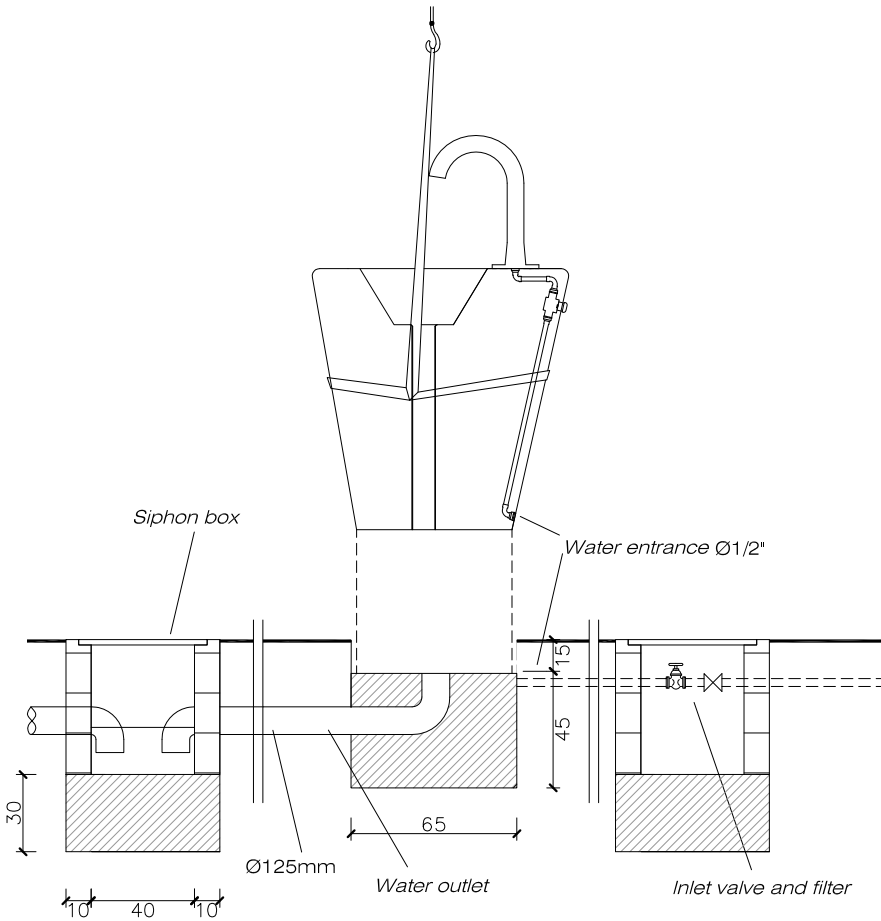


1.3 Geometry

Rural



Placement system





Warranty

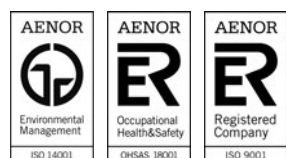
5 years in concrete elements.

The names, trademarks and industrial models of the products have been logged in the corresponding registers. The technical information provided by Escofet about its products can be modified without prior notice.

Escofet 1886 S.A
Head office and production

Montserrat, 162
E 08760 Martorell
Barcelona - España
T. 0034 937 737 150
F. 0034 937 737 151

info@escofet.com
www.escofet.com



GA-2005/0072 SST-0090/2010 ER-0403/2016