

The BAND collection constitutes a broad range of zinc plated laminated steel products with a RAL colour chart painted finish, composed of a bench, a back accessory, a stool and three planters with different geometries and volumes. They can all be combined with the Boxland concrete collection. A connector element permits 45-degree aggregations. A table and bollard are included, which occasionally fulfils the function of a bicycle stand. The end result is a collection with simple lines that share the same support system and relationship with the paving.

Steel | 📏 200 cm/máx. | ⚖️ 102 kg | ♿ 4

🔄 Update 29.07.2024



ORIGIN

The Band series was created with the intention of a quest for what is essential and abstract to give it permanence. It owes its name to the fact that it was designed as a musical band in which the instruments create a harmony with each other.

DESIGN

Its design is formed by a strip of machined, folded and welded metal. The elementary nature of this series and its aggregation capacity allows it to blend in with its environment, giving rise to complex spatial relations. This property enables its use to be extended to historical areas where the textures and atmospheres generated by the superimposing of cultures and times do not accept the use of just any material or shape.

MATERIAL

All the components of the collection are made from 8 mm-thick machined, welded, zinc plated sheet steel. With a RAL colour chart painted finish.

INSTALLATION

It can be installed resting on the paving and anchored with M-8 x 70 mm threaded bolts screwed into 12 mm openings previously created on the paving and filled with epoxy resin or fat mortar. The bollard is recessed in the paving by means of an 80-mm diameter metal tube welded at the base.



The fine line that outlines its density leaves a free space below the seats, which rest lightly and naturally on the paving.



1. Backless bench, connector, stool and table

	Connector	Stool	Backless bench	Table
Dimensions	61 x 53 x 45 cm	50 x 50 x 45 cm	200 x 50 x 45 cm	150 x 65 x 75 cm

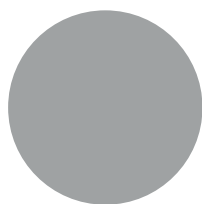
Weigh	45 kg	50 kg	102 kg	136 kg
--------------	-------	-------	--------	--------

1.1 General features

Material	Zinc plated steel	Fixing	Anchored with screws
-----------------	-------------------	---------------	----------------------

Finish	Coated finish. Category of atmospheric corrosivity C5 according to UNE EN ISO 12944-2.		
---------------	--	--	--

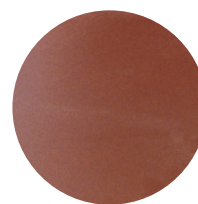
Colours



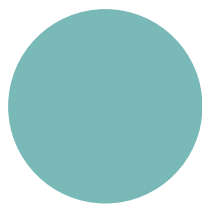
A. Textured Silver steel



B. Forge Black steel



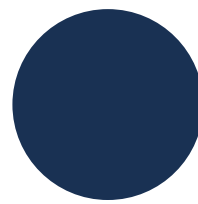
C. Cor-ten effect steel



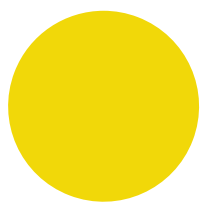
D. Light Green
RAL 6027 steel



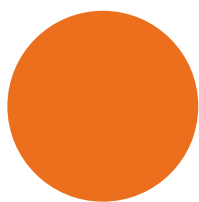
E. Reseda Green
RAL 6011 steel



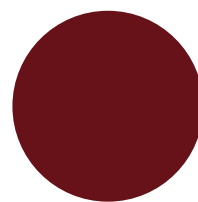
F. Cobalt Blue
RAL 5013 steel



G. Traffic Yellow
RAL 1023 steel



H. Bright Red Orange
RAL 2008 steel



I. Wine Red
RAL 3005 steel

* Optional RAL colour coating, please consult

1.2 Installation system

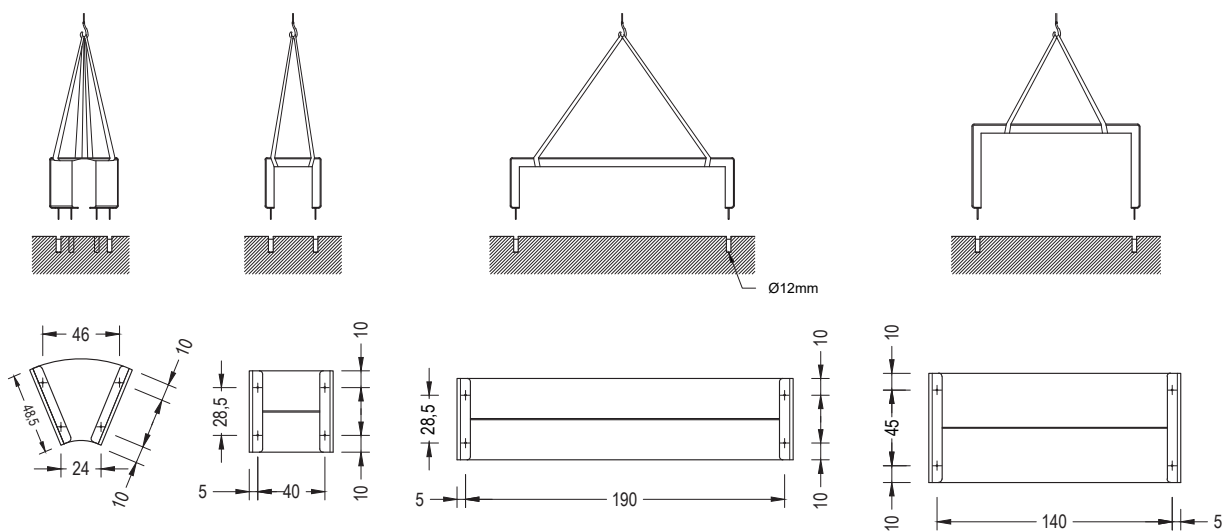
Hoisting

W= 45 kg / 50 kg / 102 kg / 136 kg

Installation

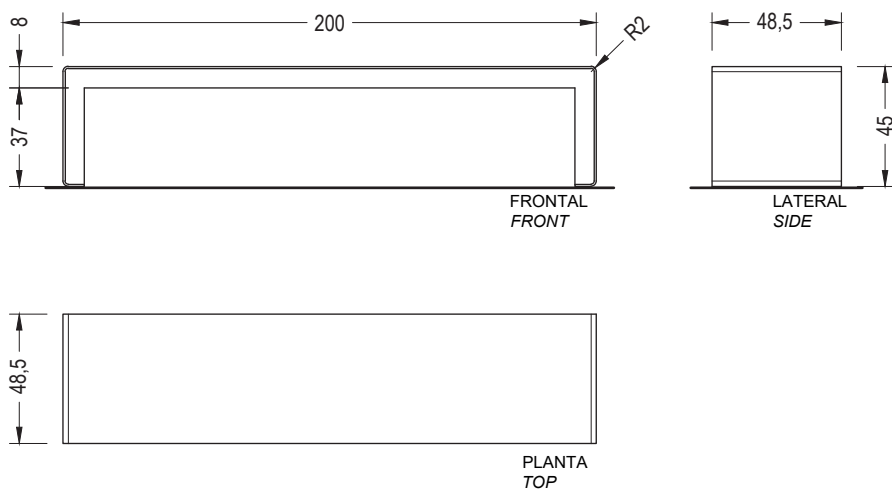
Tightly screw 4 stud bolts Din 913 M8 x 70 mm. Drill pavement (Ø12x100 mm) and fill with resin or fat mortar. Center and caulk the bench foot all around.

1.2 Installation system

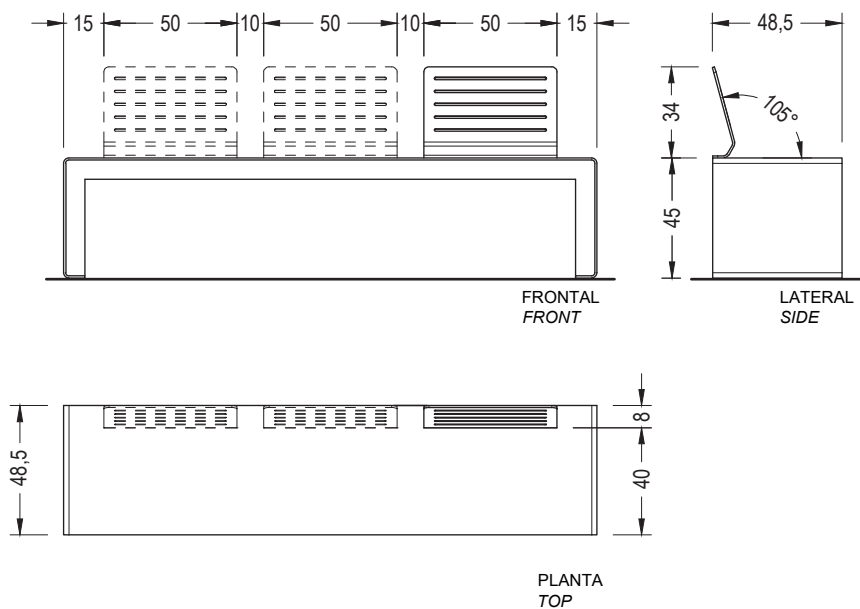


1.3 Geometry

Backless bench

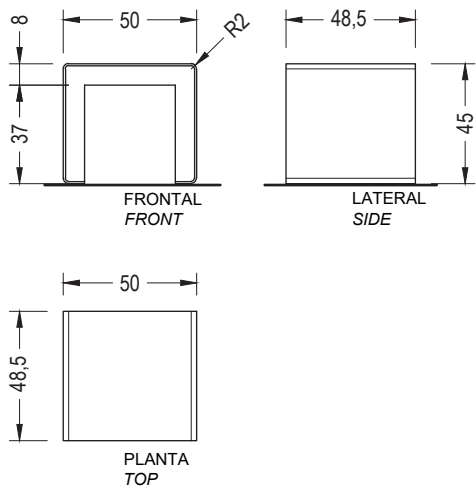


Backrest accessory

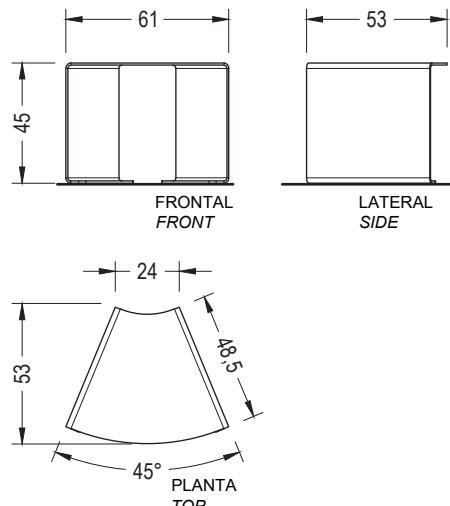


1.3 Geometry

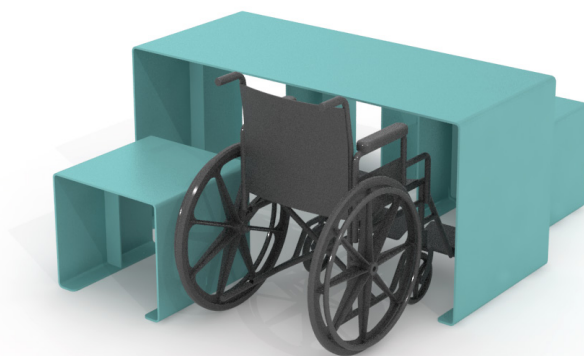
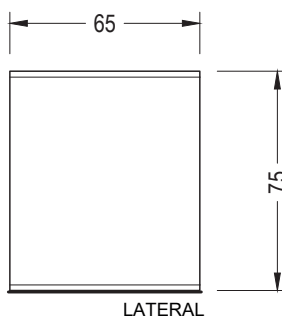
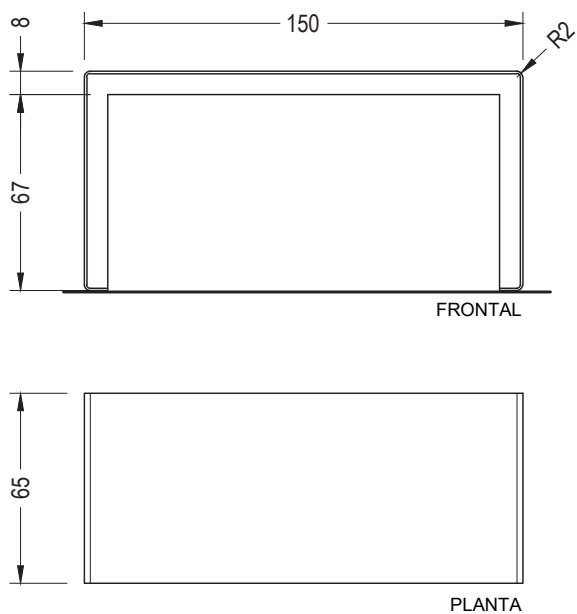
Stool



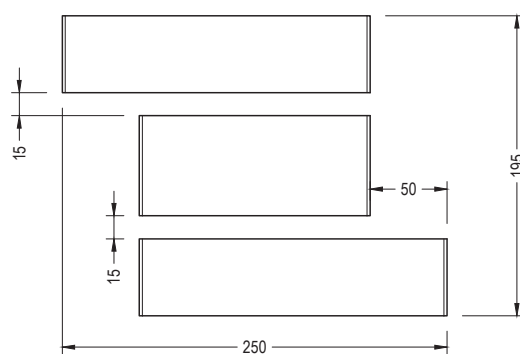
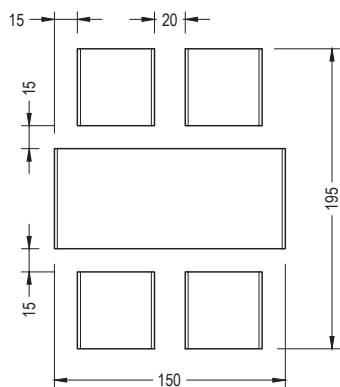
Connector



Table



Aggregations



BAND



Escofet
by Molins[®]

BAND



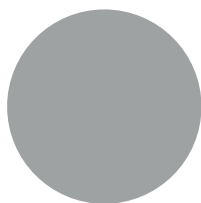
2. Planters

Band Planter	Rectangular	Square	Circular
Dimensions	200 x 50 x 45 cm	100 x 100 x 45 cm	Ø 80 x 64 cm
Weight	192 kg	175 kg	120 kg
Capacity	380 L	380 L	280 kg

1.1 General features

Material	Zinc plated steel	Fixing	Anchored with screws / Free-standing with adjustable legs
Finish	Coated finish. Category of atmospheric corrosivity C5 according to UNE EN ISO 12944-2.		

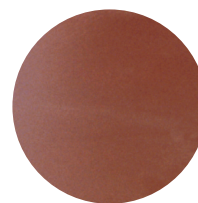
Colores



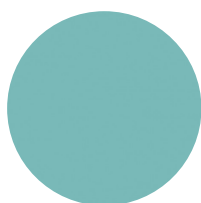
A. Textured Silver steel



B. Forge Black steel



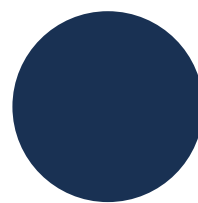
C. Cor-ten effect steel



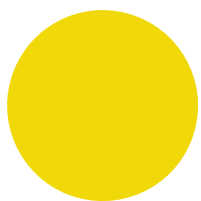
D. Light Green
RAL 6027 steel



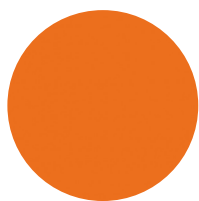
E. Reseda Green
RAL 6011 steel



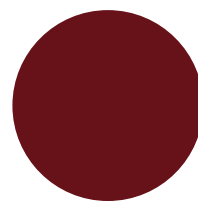
F. Cobalt Blue
RAL 5013 steel



G. Traffic Yellow
RAL 1023 steel



H. Bright Red Orange
RAL 2008 steel



I. Wine Red
RAL 3005 steel

* Optional RAL colour coating, please consult

1.2 Installation system

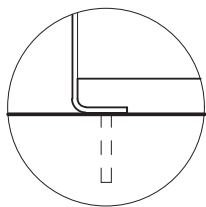
Hoisting

W= 175 kg / 192 kg / 120 kg

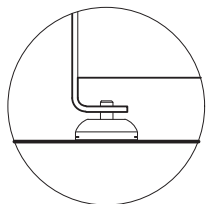
Installation

Tightly screw 4 stud bolts Din 913 M8 x 70 mm. Drill pavement (Ø12x100 mm) and fill with resin or fat mortar. Center and caulk the bench foot all around.

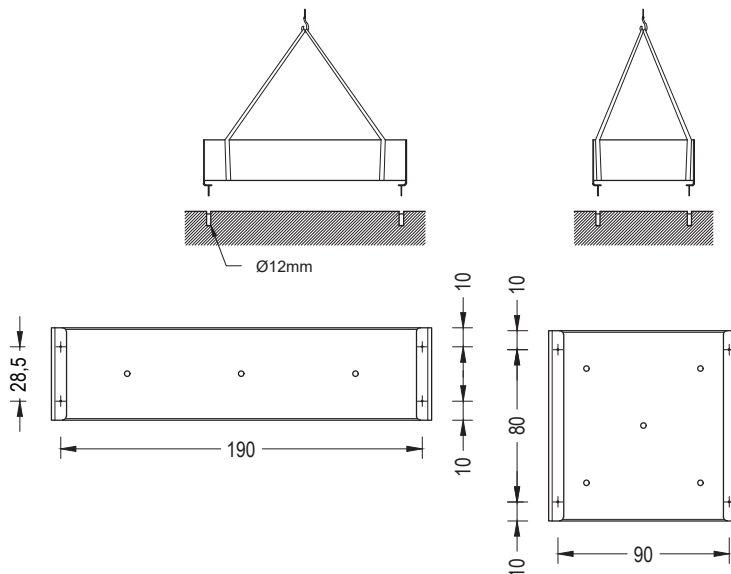
1.2 Installation system



Opción anclada

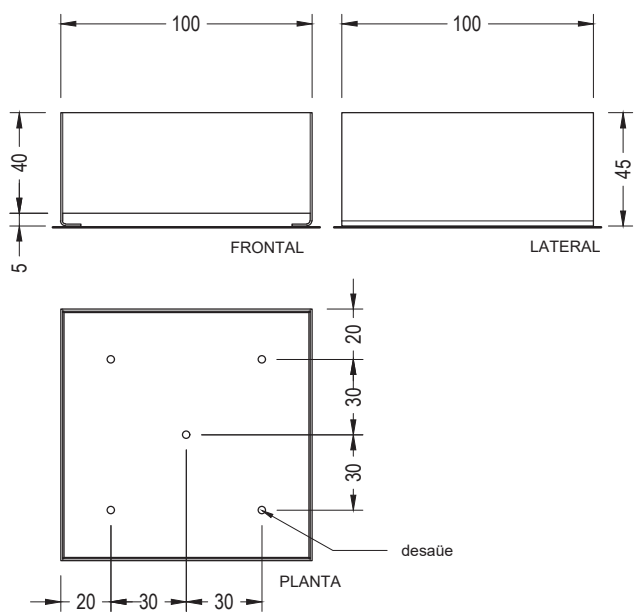


Opción regulable

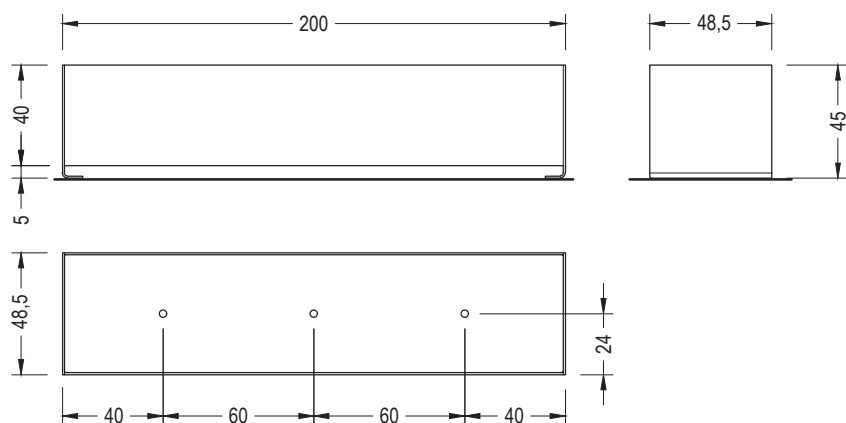


1.3 Geometry

Square



Rectangular



3. Bollard

Bollard

Dimensions 14 x 10 x 100 (125) cm

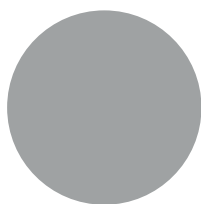
Weight 17 kg

1.1 General features

Material Zinc plated steel **Fixing** Embedded on pavement

Finish Coated finish. Category of atmospheric corrosivity C5 according to UNE EN ISO 12944-2.

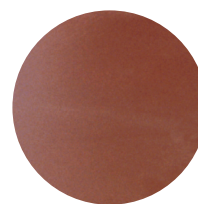
Colores



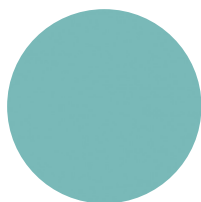
A. Textured Silver steel



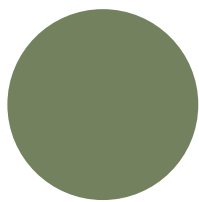
B. Forge Black steel



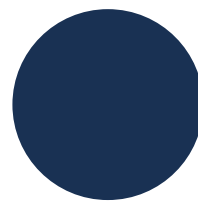
C. Cor-ten effect steel



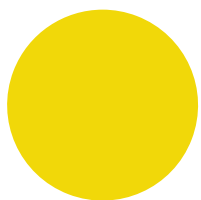
D. Light Green
RAL 6027 steel



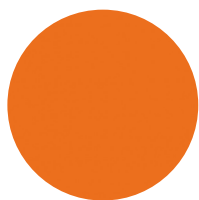
E. Reseda Green
RAL 6011 steel



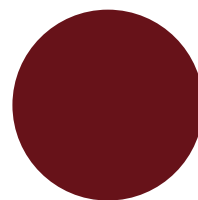
F. Cobalt Blue
RAL 5013 steel



G. Traffic Yellow
RAL 1023 steel



H. Bright Red Orange
RAL 2008 steel



I. Wine Red
RAL 3005 steel

* Optional RAL colour coating, please consult

1.2 Installation system

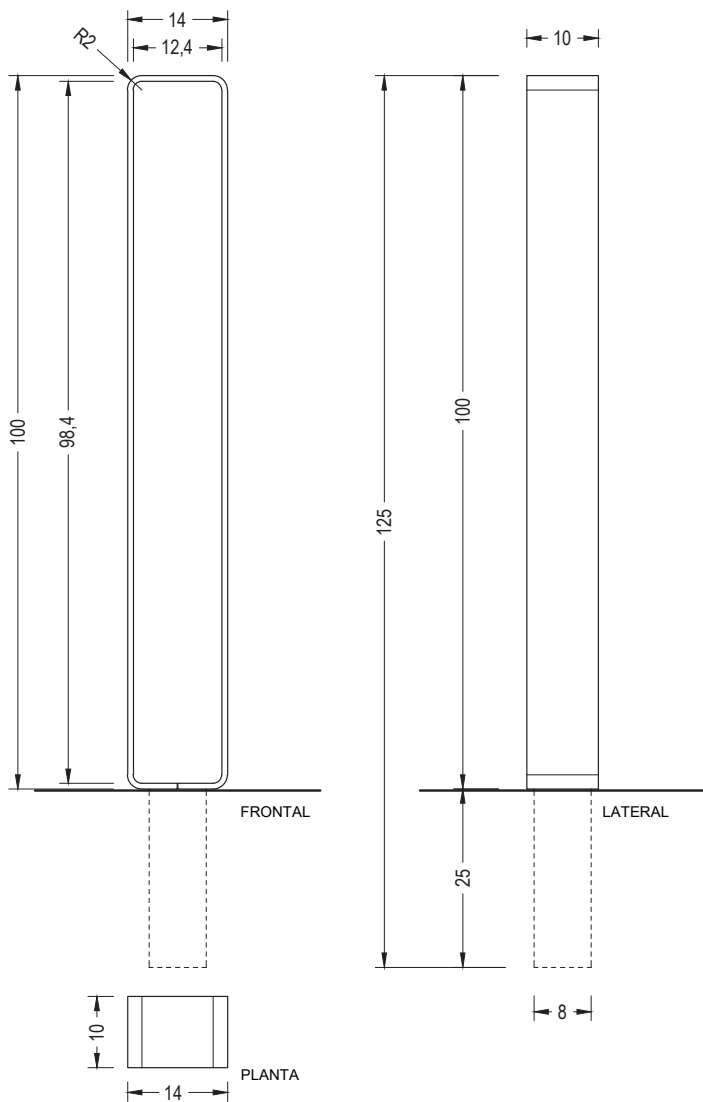
Hoisting

W=17 kg

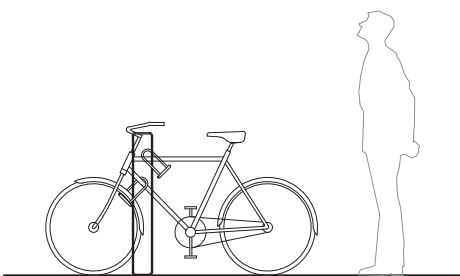
Installation

Drill pavement Ø10 x 27 cm and fill with resin or fat mortar. Center and caulk the bench foot all around.

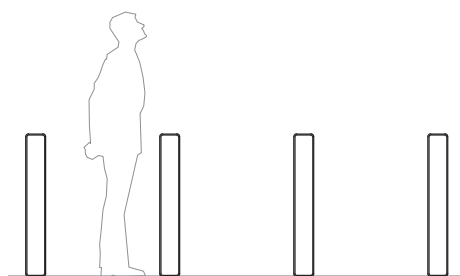
Boundary



Bike rack



Boundary







Warranty

The warranty for this product is 3 years, in accordance with European Union legislation.

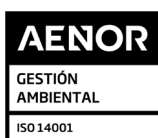
The names, trademarks and industrial models of the products have been logged in the corresponding registers. The technical information provided by Escofet about its products can be modified without prior notice.

Escofet 1886 S.A
Head office and production

Montserrat, 162
E 08760 Martorell
Barcelona - España
T. 0034 937 737 150
F. 0034 937 737 151

info@escofet.com
www.escofet.com

Escofet
by Molins[®]



GA-2005/0072



SST-0090/2010



ER-0403/2016

