

PORTIC

PORTIC insists on the portico-like geometry already present in the backless benches from the Escofet Barana collection. Portic is a version with a wider scope of application, with two different-sized geometries; one of 160 x 40 cm and the other of 200 x 50 cm. Both with a height of 45 cm.

Concrete | 📏 200 cm/max | 🏗️ 460 kg | ♿ 4

🔄 Update 22.07.2024



Escofet_Lab 2017

Escofet
by Molins^o

ADAPTABLE

Portic is composed of two bench formats. Its neutral and abstract design means it can easily be installed individually in any environment, in an aligned formation or in flexible arrangements.

ECOLOGICAL

Environmentally-sustainable product with an external natural stone finish using local recycled aggregates, in a formulation that replaces the use of natural aggregates Eco-Grey®.

MATERIAL

Moulded concrete, etched finish with recycled aggregate option. Eco-Grey® with recycled concrete aggregates for models manufactured in grey. Optional seat made of solid Teak wood slats, jointed with black elastomer.

INSTALLATION

Resting on the paving, and optionally anchored with two screws threaded through sleeves recessed in base.

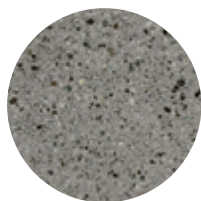




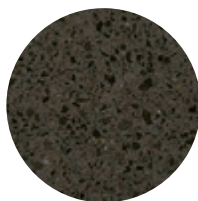
1. Backless bench

Portic	Portic 160	Portic 200	
Dimensions	160 x 40 x 45 cm	200 x 50 x 45 cm	
Weight	260 kg	460 kg	
1.1 General features			
Material	Concrete Recycled concrete	Fixing	Free-standing Anchored with screws
Finish	Etched and waterproofed		

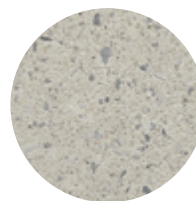
Colours



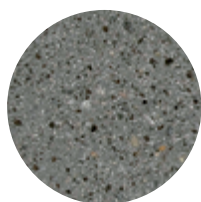
GR. Grey



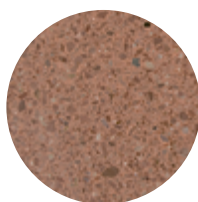
NG. Black



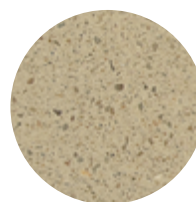
BL. White



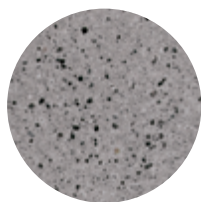
CA. Grey
CA



RA. Red



BG. Beige



EGR. Eco-Grey®

1.2 Accessories Portic 200 specifications

Material Teak Wood

Colours



A. Teak

1.3 Installation system

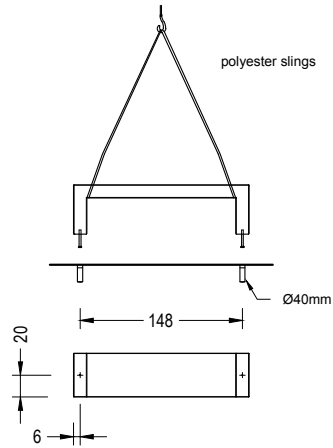
Hoisting

(W=260 kg / 384 kg)

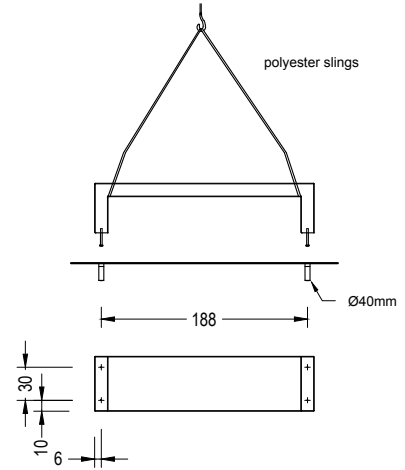
Installation

Drill pavement $\text{Ø}40 \times 180 \text{ mm}$ and fill with resin or fat mortar. Tightly screw the 2 or 4 stud bolts Din 931 M16 x 140 mm. Center and caulk the bench foot all around.

PORTIC 160

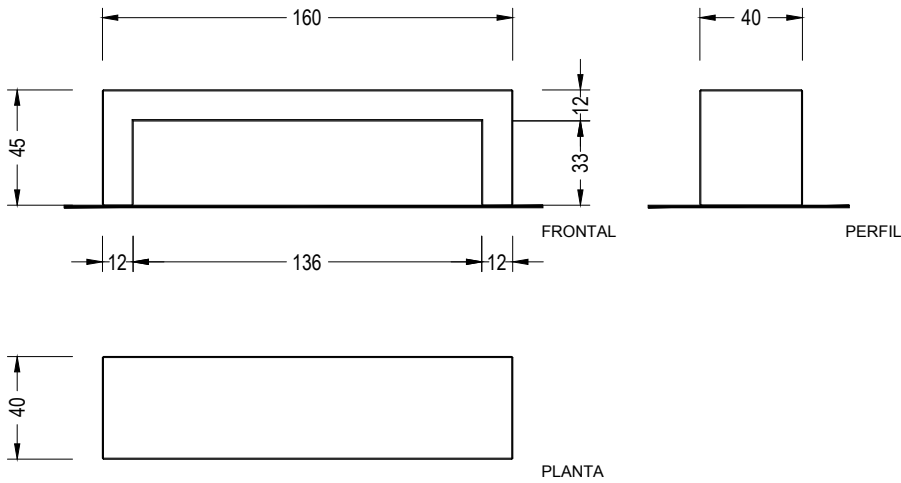


PORTIC 200

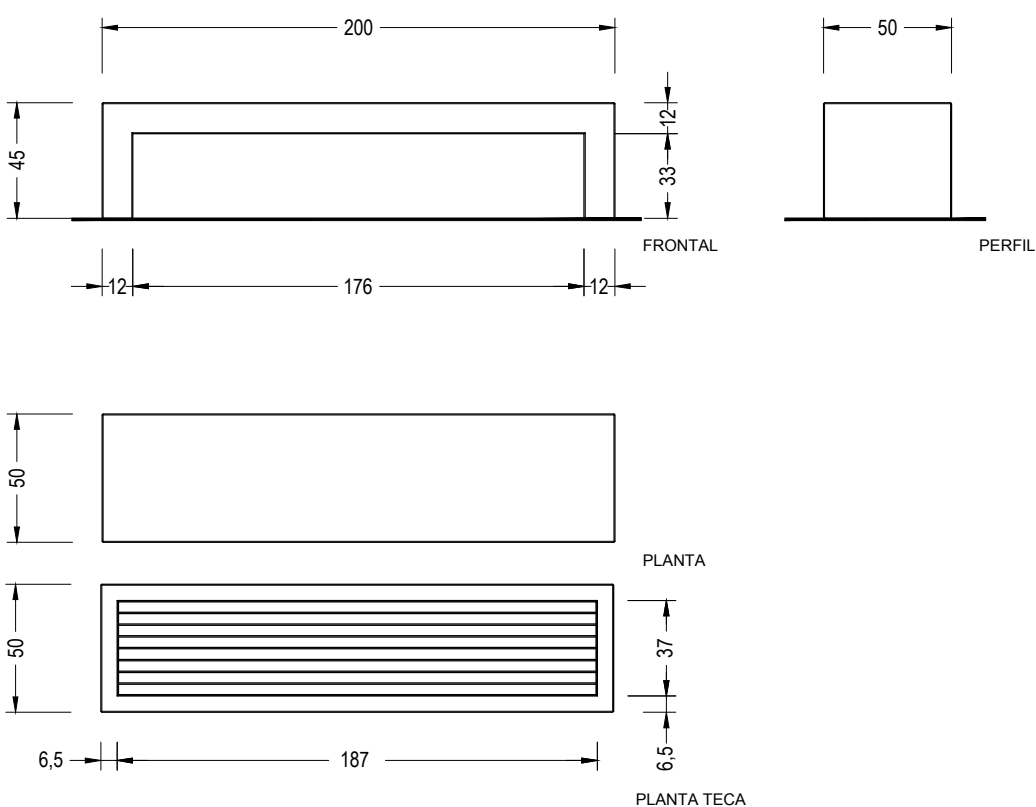


1.4 Geometry

Portic 160



Portic 200





Warranty

5 years in concrete elements.

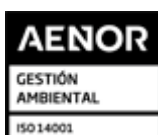
The names, trademarks and industrial models of the products have been logged in the corresponding registers. The technical information provided by Escofet about its products can be modified without prior notice.

Escofet 1886 S.A
Head office and production

Montserrat, 162
E 08760 Martorell
Barcelona - España
T. 0034 937 737 150
F. 0034 937 737 151

info@escofet.com
www.escofet.com

Escofet
by Molins[®]



GA-2005/0072



SST-0090/2010



ER-0403/2016

