




KM.0 design has the distinguishing feature of not only providing a place of rest for passers-by, but as a place for installing signs: Routes, nature trails, sites of historical and cultural interest or distances between different origins, obtained through the use of new technologies. The optimal dimensions, with space for two people, diminishes its status as an obstacle, and its rounded edges guarantee friendly contact for users.

Concrete |  270 cm/máx. |  1745 kg/máx. |  5

 Update 11.07.2024



ORIGIN

Km.0 won first prize in the "Asiento4Sol" competition organised by COAM and Escofet for the design of new benches in the public area of Puerta del Sol, Madrid.

DESIGN

The formalisation of the bench as a landmark also provides a stimulus that interacts directly with passers-by, firmly anchored to the site and converting it into part of the citizen's imagery.

MATERIAL

Etched, water-repellent concrete. Optional text, depending on design, recessed in bas relief.

INSTALLATION

Anchored to the paving with two M16 x 140 mm threaded bolts inserted into holes with a diameter of 40 mm filled with resin or fat mortar.



Its versatility of use and free arrangement of the parts give rise to multiple configurations, based on the number of units.



1. Backless bench

Km.0

Dimensions 120 x 50 x 44 cm

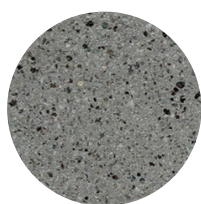
Weight 565 kg

1.1 General features

Material Concrete **Fixing** Anchored with screws

Finish Etched and waterproofed

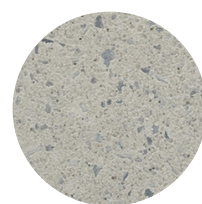
Colours



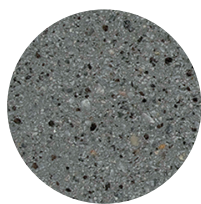
GR. Grey



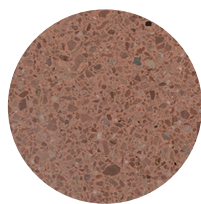
NG. Black



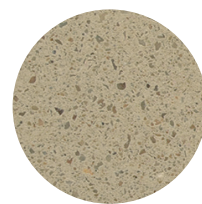
BL. White



CA. Grey
CA



RA. Red

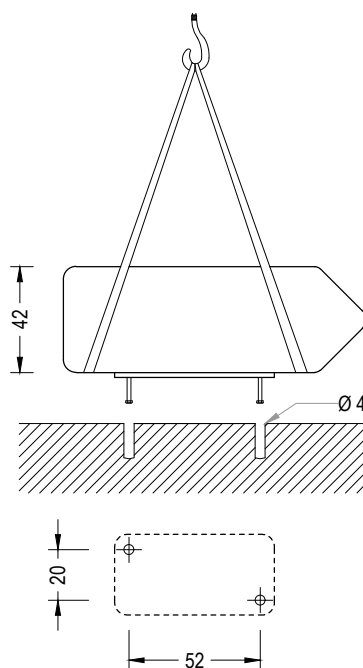


BG. Beige

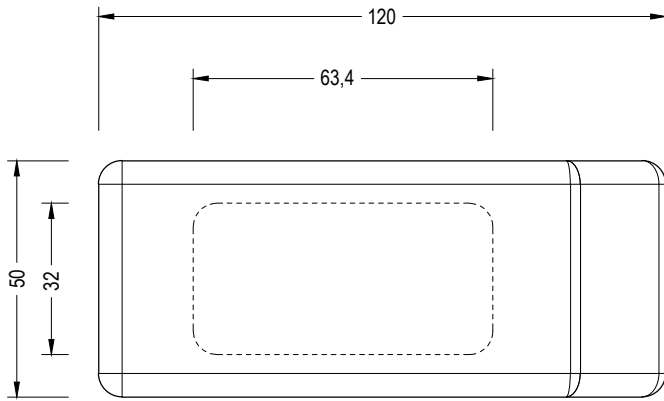
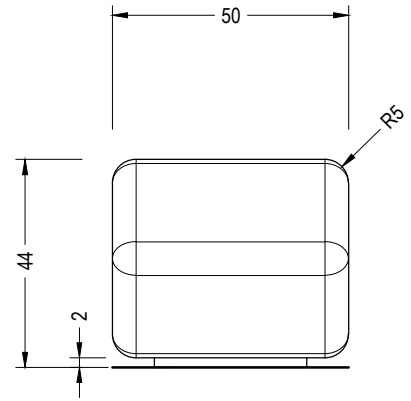
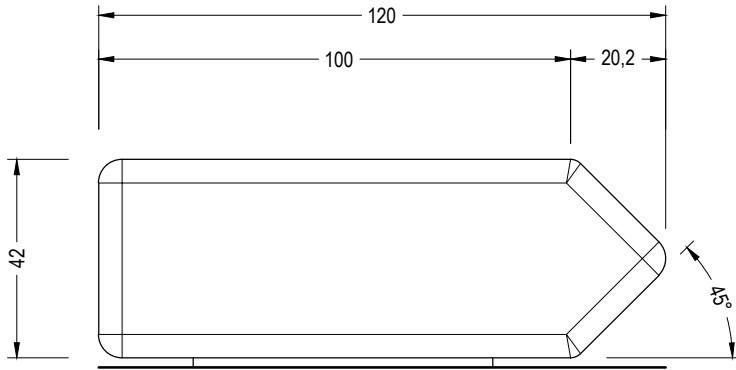
1.2 Installation system

Hoisting
(P= 565 kg)

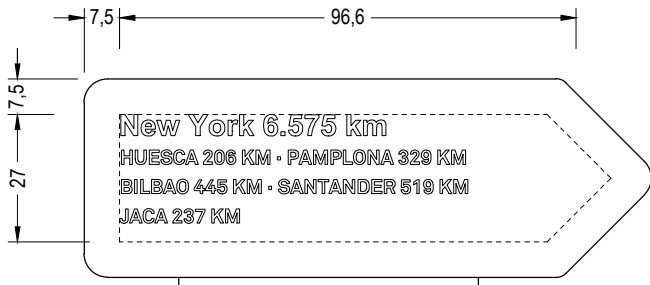
Instalación
Drill pavement (Ø40) and fill with resin. Tightly screw the 4 stud bolts M16 x 140 mm. Center and caulk the bench foot all around.



Km.0



Text example





Warranty

5 years in all its components.

The names, trademarks and industrial models of the products have been logged in the corresponding registers. The technical information provided by Escofet about its products can be modified without prior notice.

Escofet 1886 S.A
Head office and production

Montserrat, 162
E 08760 Martorell
Barcelona - España
T. 0034 937 737 150
F. 0034 937 737 151

info@escofet.com
www.escofet.com



GA-2005/0072



SST-0090/2010



ER-0403/2016

