





# STARFISH

Emilio Tuñón 2013

STARFISH is a revamp of the Flor backless bench, in a new material. Unlike its concrete predecessor, which includes two combinable formats, the new Air Collection version has a single model whose biomorphic, radial design allows for flexible, grouped or individual use. This version is highlighted due to its lightness, the wide color palette and the possibility of incorporating a white LED lighting kit.

Polyethylene HDPE |  185 cm |  40 kg |  6

Add-ons: LED

 Update 25.07.2024



## ORIGIN

The review of the Flor bench concept by Emilio Tuñón in order to create Starfish is based on a star-shaped structure with five arms that rest on five short legs at their ends.

## RECYCLED AND RECYCLABLE

It is monomaterial and 100% recyclable. The option in black color is 100% recycled, and consequently it is an environmentally sustainable product.

## NON-POROUS

The peculiarity of non-porous HDPE material means that its surface is easy to wash with pressurised water and a degreasing detergent that contains surfactants. It is disinfected with a hydro-alcoholic solution.

## MATERIAL

Made with rotomolded HDPE polyethylene, it's available in a wide variety of colors. With a threaded inspection chamber cover permitting access to the interior.

## INSTALLATION

Can be installed on the paving, and anchored, if required, using a hidden and removable system.



# STARFISH



# STARFISH



# STARFISH



## 1. Backless bench

|                             |                                                                                                                                |                    |                            |
|-----------------------------|--------------------------------------------------------------------------------------------------------------------------------|--------------------|----------------------------|
| <b>Starfish</b>             |                                                                                                                                |                    |                            |
| <b>Dimensions</b>           | 185 x 170 x 45 cm                                                                                                              |                    |                            |
| <b>Weight</b>               | 40 kg                                                                                                                          |                    |                            |
| <b>Lighting</b>             | 5 LED profiles, 57 white colour t° 5000k<br>Only in white                                                                      |                    |                            |
| <b>1.1 General features</b> |                                                                                                                                |                    |                            |
| <b>Material</b>             | Polyethylene HDPE                                                                                                              | <b>Fixing</b>      | Free-standing / Anchored   |
| <b>Finish</b>               | Micro-textured                                                                                                                 | <b>Performance</b> | UV resistance and outdoors |
| <b>Flame retardant</b>      | Complies with the regulations euroclasses UNE-EN 13501-1:2019, classified as "E" in relation to its reaction to fire behavior. |                    |                            |

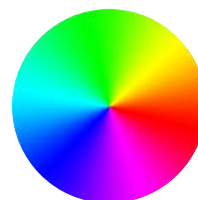
### Colours



**RBN.** White



**RNG.** Black  
100% recycled



Color chart  
standard \*

\* Optional colour according to project

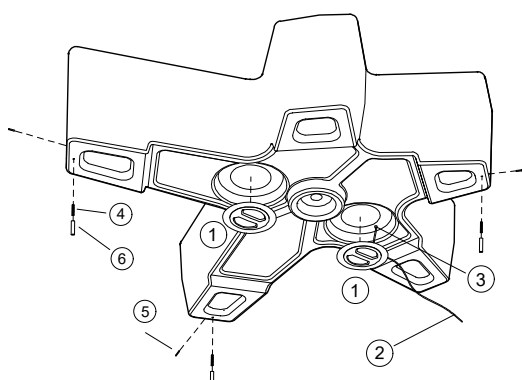
### 1.2 Installation system

#### Hoisting

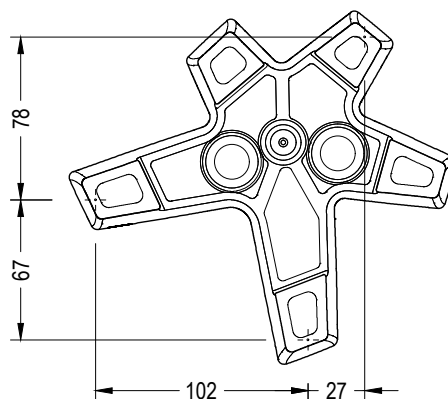
(W=40 kg)

#### Installation

- Indoor: free-standing
- Outdoor: Hidden and Removable anchored: Screw the M6 screws into the bushing supplied. Place the bushing+screw kit in the existing holes in the bench. Screw in 3 M5 side fasteners until the M6 screw is tight. Rotate the bench, mark the position. Drill holes in pavement (Ø20), fill with resin or fat mortar and place the bench. Optionally, to gain weight, the customer can ballast it with sand.

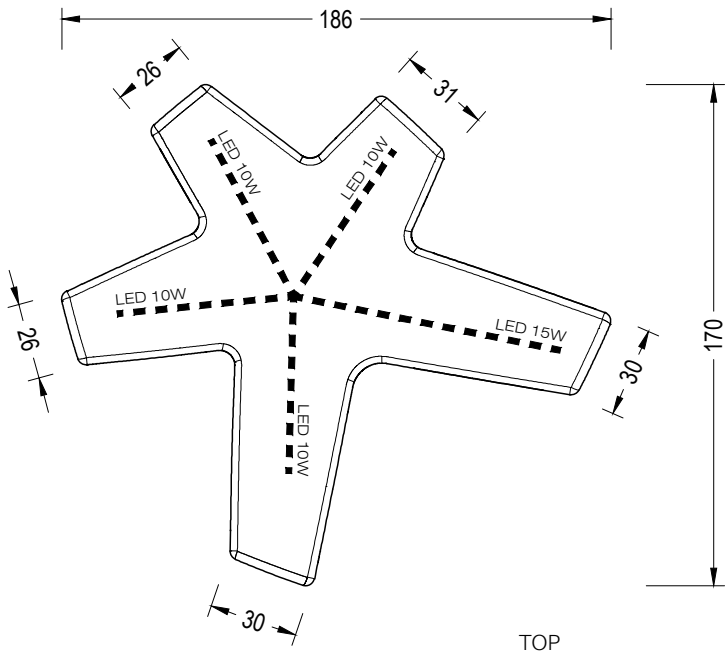
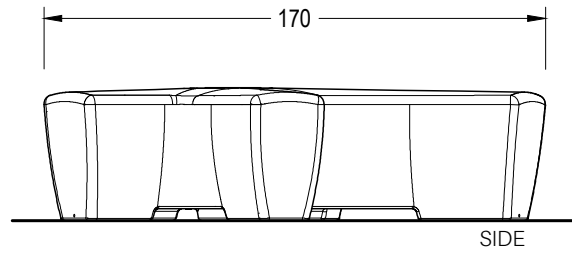
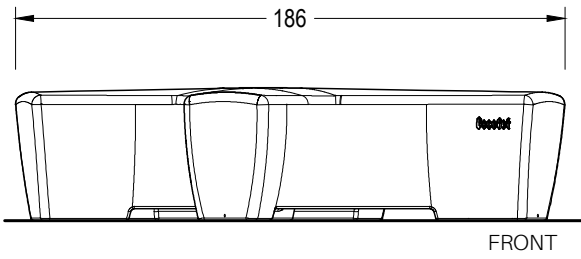


- ① threaded inspection hatch
- ② service lead
- ③ cable gland
- ④ screw M6
- ⑤ side fastener M5
- ⑥ threaded bushing pavement M6

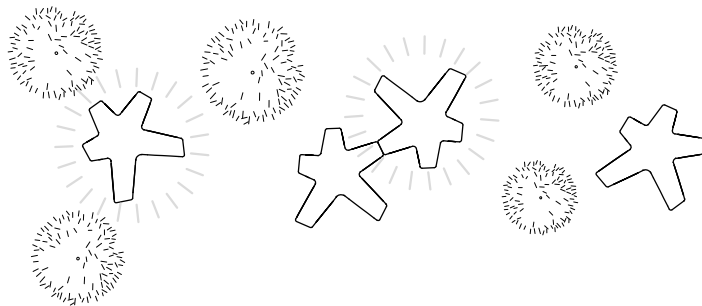


## 1.3 Geometry

### Starfish



### Aggregation





## Warranty

The warranty for this product is 3 years, in accordance with European Union legislation.

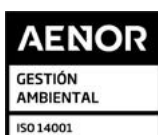
The names, trademarks and industrial models of the products have been logged in the corresponding registers. The technical information provided by Escofet about its products can be modified without prior notice.

Escofet 1886 S.A  
Head office and production

Montserrat, 162  
E 08760 Martorell  
Barcelona - España  
T. 0034 937 737 150  
F. 0034 937 737 151

info@escofet.com  
www.escofet.com

**Escofet**  
by Molins<sup>®</sup>



GA-2005/0072



SST-0090/2010



ER-0403/2016

