





The SISA collection is a set of seating elements designed to integrate the plurality of urban spaces.

FSC® Certified Wood |  150 cm/màx. |  38 kg |  3

 Update 23.02.2024



**SISA**

Jaume Ramírez Studio 2024

**Escofet**  
by Molins<sup>o</sup>

## ORIGIN

The urban environment constitutes a common world (Marina Garcés) that we constantly and collectively produce. This common action requires considering the elements of public space in light of our diversity (who uses them and how) and that of the architectural surroundings.

## DESIGN

The bench is designed with a deliberate formal and material economy, manufactured with the minimum possible: four vertical iron legs and three wooden slats, treated for appropriate aging. The backless bench defines the urban environment without overshadowing it; the bench with a backrest finds comfort through a discreet inclination that does not break with an upright posture.

## ERGONOMIC

The armrest sheet, a delicate gesture that allows recognizing the entirety of the piece, refers to a typology of street seating that establishes itself in the popular imagination with a recognizable curve, albeit now lighter. On the other hand, the geometry evokes the moment of contact when rising or sitting, the gesture of the human hand when resting on the knees or a cane.

## MATERIAL

The supports are made of zinc-plated steel painted in greenish-brown or rusty red. The seat and backrest are crafted from a single section of FSC® certified Nordic pine wood, treated with a colorless lasur for protection.

## INSTALLATION

Anchored using M6 x 140 mm threaded rods in 12 mm pre-drilled holes filled with epoxy resin or mortar.





SISA



**Escofet**  
by Molins<sup>o</sup>

SISA



**Escofet**  
by Molins<sup>o</sup>



SISA

3  
1  
3



Photography: Daniel Riera

Escofet  
by Molins<sup>o</sup>

## 1. Collection

SISA	Chair	Bench	Backless bench	Stool
<b>Dimensions</b>	60 x 60 x 84 cm	150 x 60 x 84 cm	150 x 40 x 45 cm	60 x 40 x 45 cm
<b>Weight</b>	28 kg	38 kg	24 kg	16 kg

### 1.1 General features

<b>Seat</b>	Nordic Pine wood FSC®	<b>Fixing</b>	Anchored with screws
-------------	-----------------------	---------------	----------------------

<b>Finish</b>	Treated with colorless lasur
---------------	------------------------------

<b>Supports</b>	Zinc plated steel
-----------------	-------------------

<b>Finish</b>	Oxide Red or Brown Green coated finish. Category of atmospheric corrosivity C5 according to UNE EN ISO 12944-2.
---------------	---

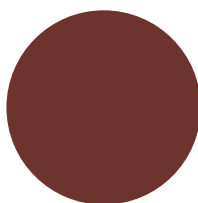
### Colours



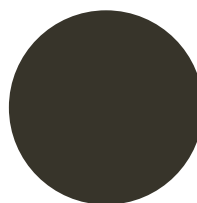
La marca de la gestión forestal responsable



**A.** Nordic pine wood FSC®



**B.** Oxide Red RAL 3009

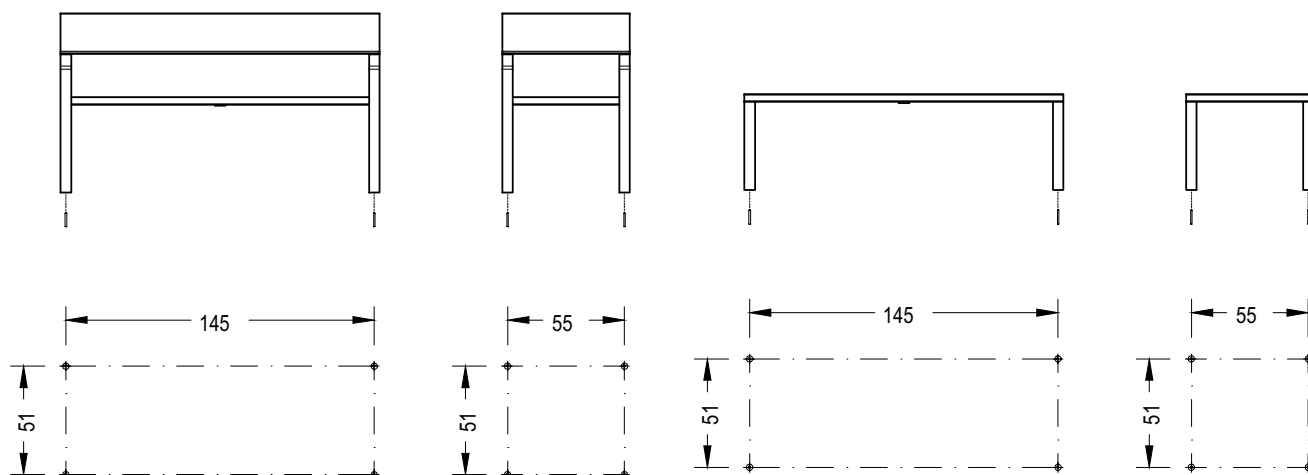


**C.** Brown Green RAL 6008

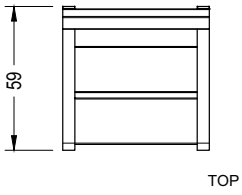
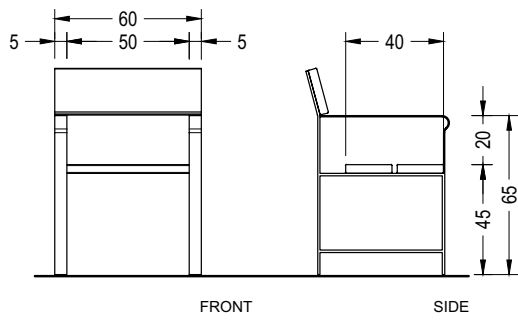
### 1.2 Installation system

#### Installation

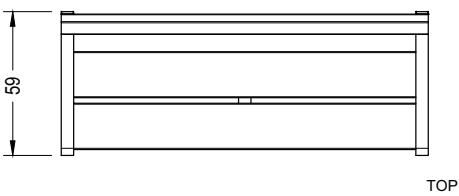
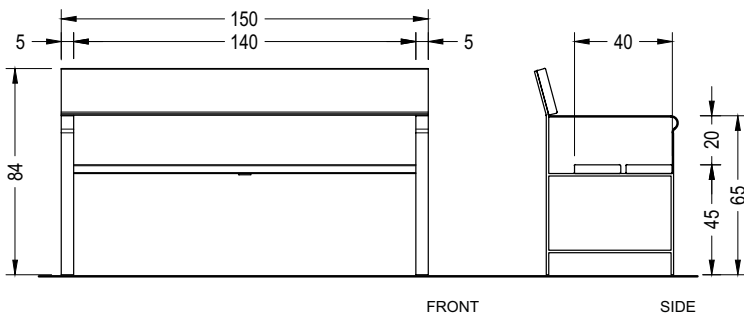
Drill pavement Ø12 mm and fill with resin. Tightly screw at the base the 4 stud bolts M6 x100 mm. Center and caulk the bench foot all around.



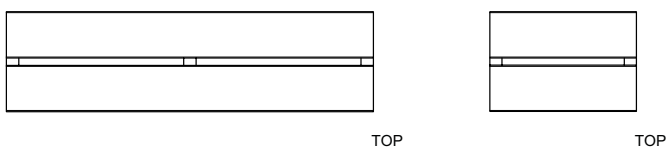
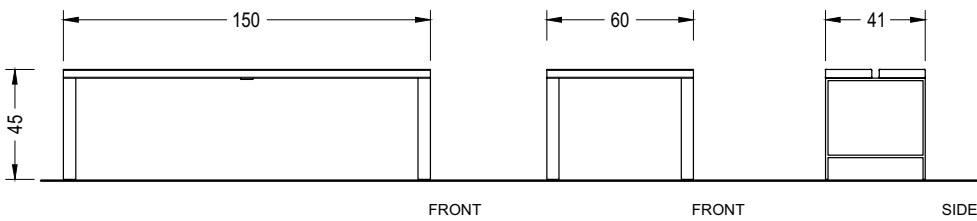
Chair



Bench



Backless bench / Stool





## Warranty

The warranty for this product is 3 years, in accordance with European Union legislation.

The names, trademarks and industrial models of the products have been logged in the corresponding registers. The technical information provided by Escofet about its products can be modified without prior notice.

Escofet 1886 S.A  
Head office and production

Montserrat, 162  
E 08760 Martorell  
Barcelona - España  
T. 0034 937 737 150  
F. 0034 937 737 151

info@escofet.com  
www.escofet.com

**Escofet**  
by Molins<sup>®</sup>



GA-2005/0072



SST-0090/2010



ER-0403/2016

