

Buzz is an absolutely unconventional litter bin with a cylindrical steel sheet body crowned by a broad cast iron “funnel-shaped” opening such as those found in merchant ships. *Buzz* invites users to dispose of their waste in a more playful fashion by throwing it into the bin. The interior finish of the painted coloured opening gives us an idea of the type of waste to be recycled.

Steel | 📏 50 cm | ⚖️ 84 kg | 🗑️ 40 L

🔄 Update 04.09.2023



Origin

It was originally designed for the Sailing Club in the port of Vilanova i la Geltrú.

Functional

An inspection chamber gives access to the interior in order to collect the waste from a cylindrical bin.

Material

The lower cylindrical body is made from zinc plated steel sheet, while the funnel-shaped top part is made from grey GG-20 cast iron. Both components have a Forge Black or Cor-ten effect coated finish. The inner part of the bin can be coated in 4 different colours. Internal cylindrical bin made from galvanised steel sheet.

Installation

Anchored to the paving with four threaded M14 x 230 mm screws fastened with resin or by means of expansion plugs in holes with a diameter of 16 mm.





1. Litter bin

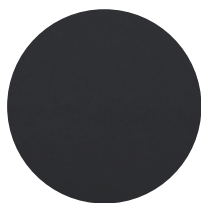
Buzz

Dimensions	50 x 48 (Ø 48) x 112 cm
Weight	84 kg
Capacity	40 L

1.1 General features

Body	Zinc plated steel	Fixing	Anchored with screws
Finish	Forge Black or Cor-ten effect coated finish. Category of atmospheric corrosivity C5 according to UNE EN ISO 12944-2.		
Mouth	GG-20 perlitic cast iron	Interior finish	Grey, Yellow, Blue or Green
Interior container	Galvanized steel sheet		

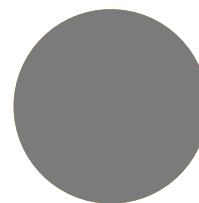
Colours



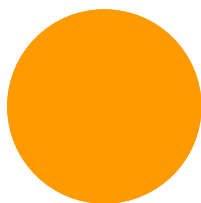
A. Forge Black



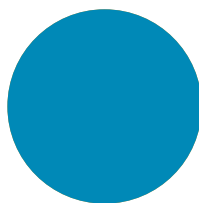
B. Cor-ten effect



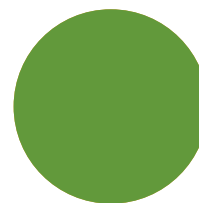
C. Grey RAL 7073



D. Yellow RAL 1004



E. Blue RAL 5012



F. Green RAL 6018

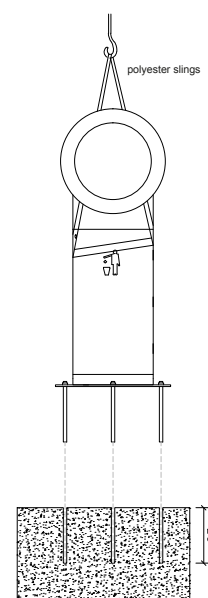
1.2 Installation system

Hoisting

(W=84 kg)

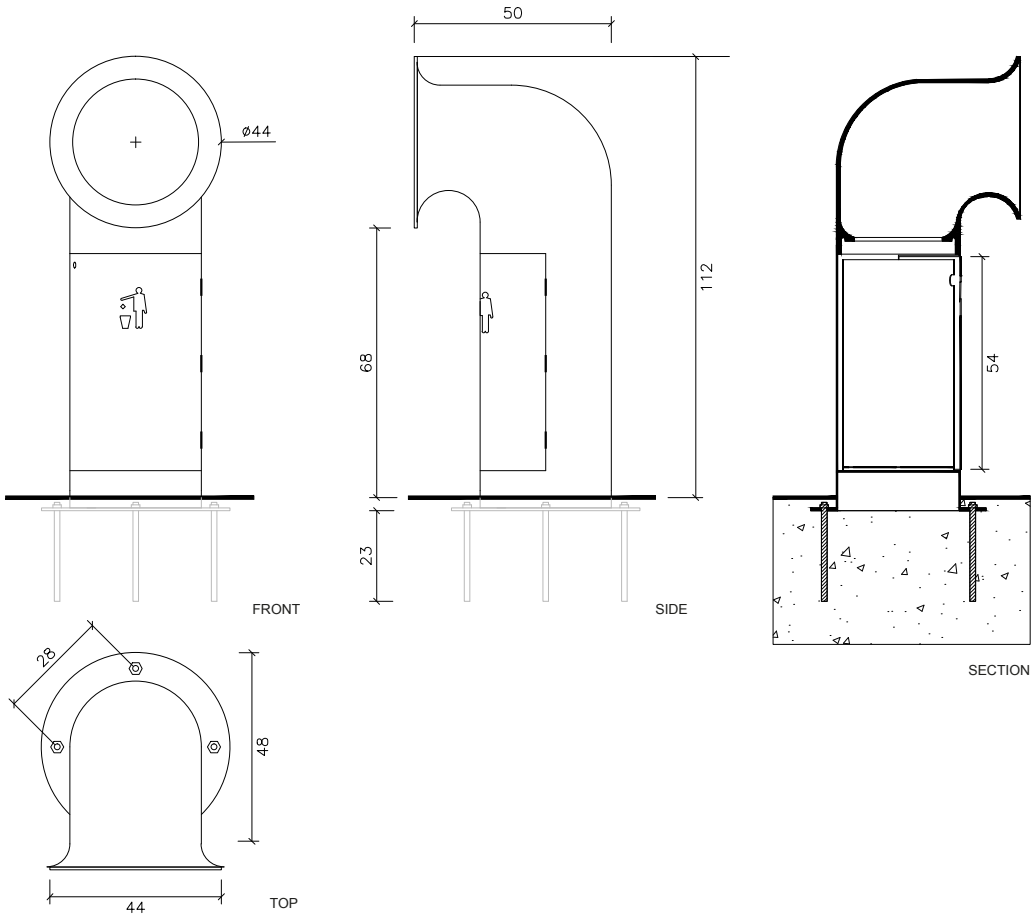
Installation

Tightly screw the 4 stud bolts M-14x230 mm. Drill pavement (Ø16 x 230 mm) and fill with chemical adhesive. Center and caulk the bench foot all around.

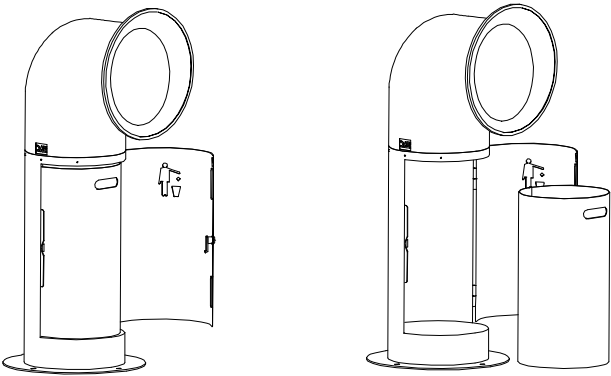


1.3 Geometry

Buzz



Bag fixing system





The names, trademarks and industrial models of the products have been logged in the corresponding registers. The technical information provided by Escofet about its products can be modified without prior notice.

Escofet 1886 S.A
Head office and production

Montserrat, 162
E 08760 Martorell
Barcelona - España
T. 0034 937 737 150
F. 0034 937 737 151

info@escofet.com
www.escofet.com



GA-2005/0072 SST-0090/2010 ER-0403/2016