






Kiwi is a contemporary representation of a collection of urban seats, establishing a bond between user and environment and with the least possible visual impact. Its specific ergonomic and anthropometric qualities promote a universal use specially designed for elderly users.

FSC® Certified Wood |  |  280 cm/max |  81 kg |  3

 Update 27.07.2023



KIWI

Nahtrang Disseny 2010

Escofet®

Origin

The profile of the back structure, made from aluminium, evokes the image of the beak of a Kiwi, the national symbol of New Zealand, whose name comes from the sound this bird makes (“kee wii”) in the Maori language. We associated its enchanting behaviour with a sensation of comfort that deliberately draws us to this product.

Versatile

A family of seats with enormous versatility in terms of use: a seat of 60 cm, benches of 180 or 280 cm, with or without armrests, and benches of 60 and 180 cm. The cross section of all the models in the collection permits the configuration of aggregations by combining benches and seats in an unbroken formation.

Ergonomic

The geometric combination of the short seat at a height of 45 cm and tall armrest with a height of 26 cm above the seat makes it easy for elderly people to sit down and stand up without reducing the conditions of comfort.

Material

Supports made from an aluminium structure and coated with textured silver paint combined with five planks of FSC®-certified tropical wood.

Installation

It is installed by simply anchoring it with screws recessed in the paving and fastened with resin.





1. Bench, chair, backless bench and stool

Kiwi	Bench	Chair	Double bench	Backless bench	Stool
Dimensions	180 x 45 cm	60 x 45 cm	280 x 45 cm	180 x 45 cm	60 x 45 cm
Weight	40 / 51 kg	25 / 29 kg	63 / 81 kg	30 / 38 Kg	19 / 22 Kg

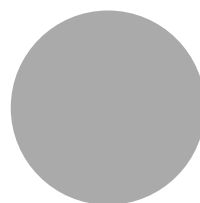
1.1 General features

Seat	Tropical wood FSC®	Fixing	Anchored with screws
Finish	Treated with oil		
Supports	Cast aluminium. Opcional with or without backrest		
Finish	Textured Silver coated finish. Category of atmospheric corrosivity C5 according to UNE EN ISO 12944-2		

Colours



A. Tropical wood FSC®

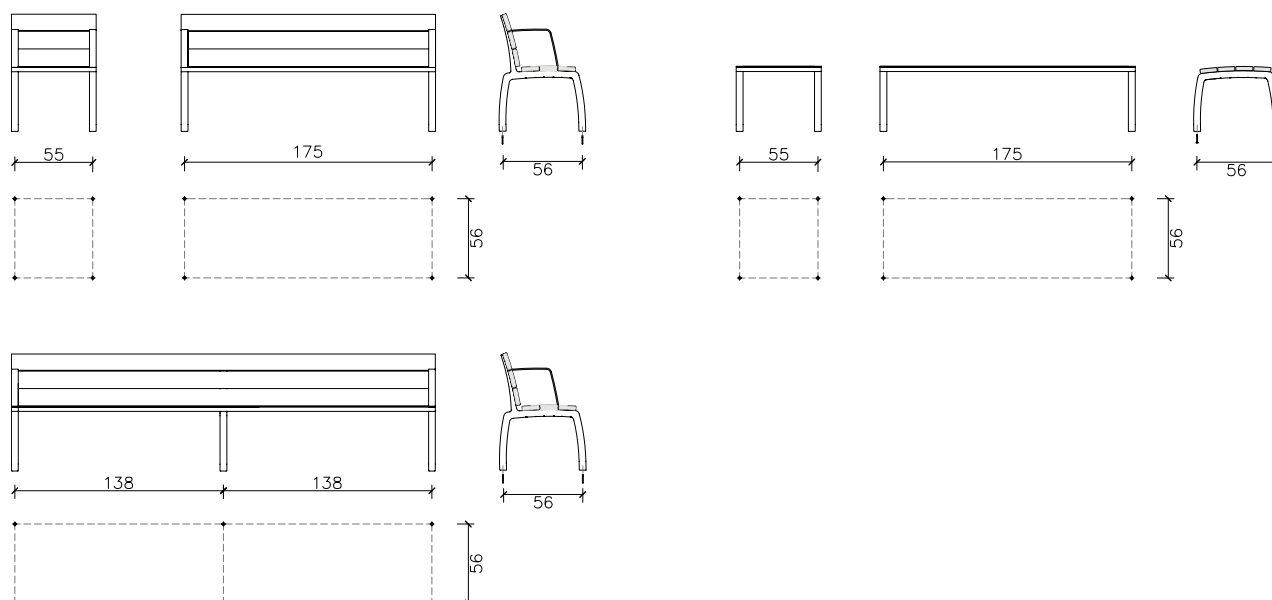


B. Textured Silver aluminium

1.2 Installation system

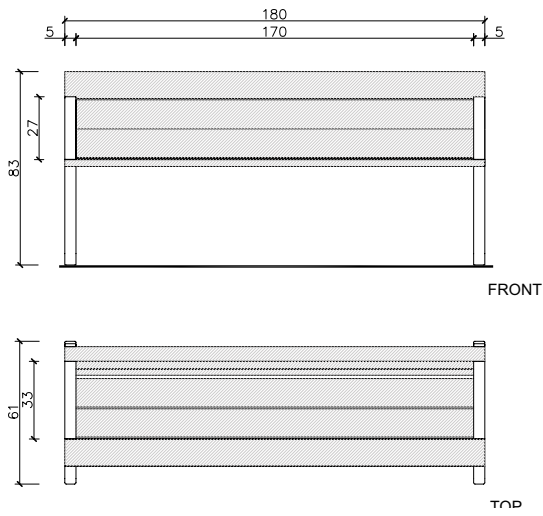
Installation

Drill pavement (Ø12 mm) and fill with resin. Tightly screw the 4 stud bolts DIN 913 M10x100 mm. Center and caulk the bench foot all around.

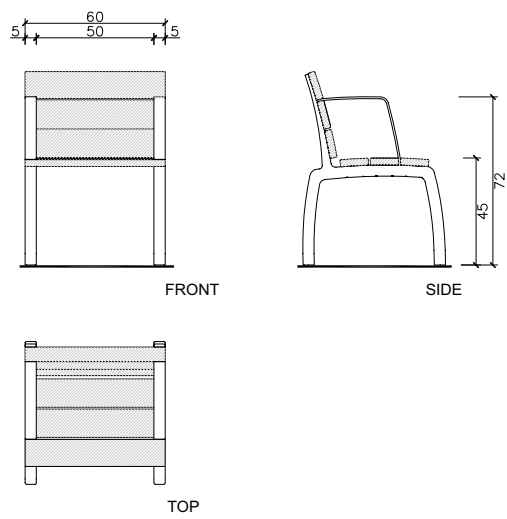


1.3 Geometry

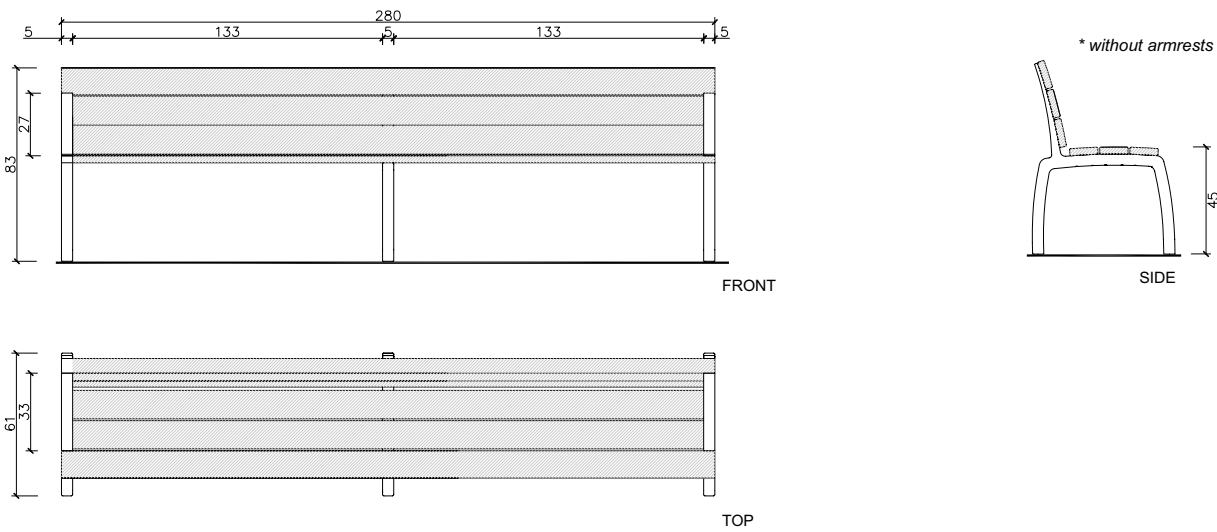
Kiwi Bench



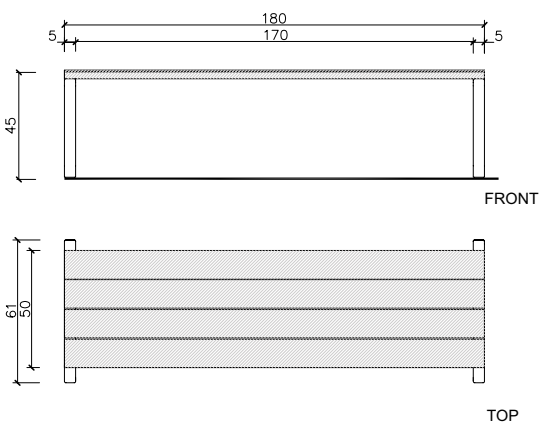
Kiwi Chair



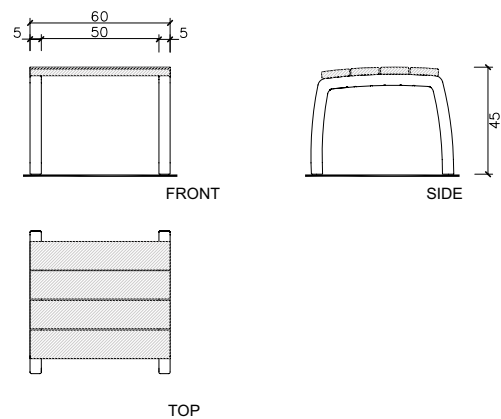
Kiwi 280 Bench



Kiwi Backless bench



Kiwi Stool





The names, trademarks and industrial models of the products have been logged in the corresponding registers. The technical information provided by Escofet about its products can be modified without prior notice.

Escofet 1886 S.A
Head office and production

Montserrat, 162
E 08760 Martorell
Barcelona - España
T. 0034 937 737 150
F. 0034 937 737 151

info@escofet.com
www.escofet.com



GA-2005/0072 SST-0090/2010 ER-0403/2016