

Montseny is the oldest classic bench and seat assembly which, with no apparent change, has best been able to remain popular and fashionable since it was first created in 1990. The structural combination of the cast aluminium support with the inserted wood planks make this bench the most resistant of all those in its class.

FSC® Certified Wood | Aluminium  |  300 cm/màx. |  88 kg |  6

 Update 14.06.2023



MONTSENY

Leopoldo Milá 1990

Escofet®

Origin

The *Montseny* bench was created and marketed by the company DAE, and is the most successful of the company's products since it was first set up. In 2013 it was added to the *Escofet* catalogue.

Robust

The insertion of the planks into the aluminium supports generates a robust, sturdy structure that ensures the dimensional stability of the wood in the event of potential deformations.

Ergonomic

The combination of the height and inclination of the seat, the height of the back and arm rests make the Montseny bench and seat extremely comfortable.

Material

The combination of a single support model and two plank sections made from FSC®-certified tropical wood permit the assembly of the seat, measuring 60 cm and benches with a length of 150 cm using two supports or a double bench of 300 cm with three supports.

Installation

Anchoring it with screws recessed in the paving and fastened with resin.





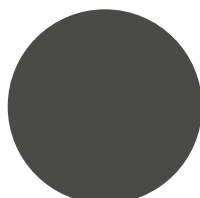
1. Bench

Montseny	Chair	Bench 150	Bench 300
Dimensions	60 x 62 x 84 cm	150 x 62 x 84 cm	300 x 62 x 84 cm
Weight	36 kg	52 kg	88 kg

1.1 General features

Seat	Tropical wood FSC®	Fixing	Anchored with screws
Finish	Oil treated		
Supports	Cast aluminium		
Finish	Forge Black coated finish. Category of atmospheric corrosivity C5 according to UNE EN ISO 12944-2. Optional RAL color chart.		

Colours



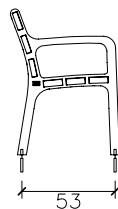
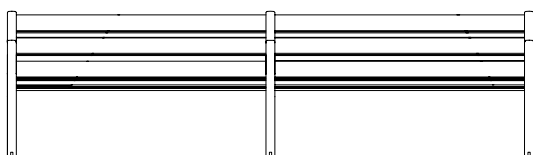
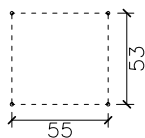
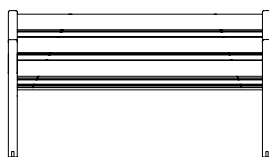
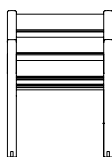
A. Tropical wood FSC®

B. Forge Black aluminium

1.2 Installation system

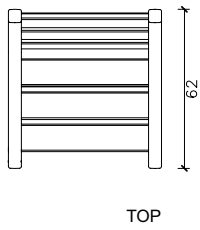
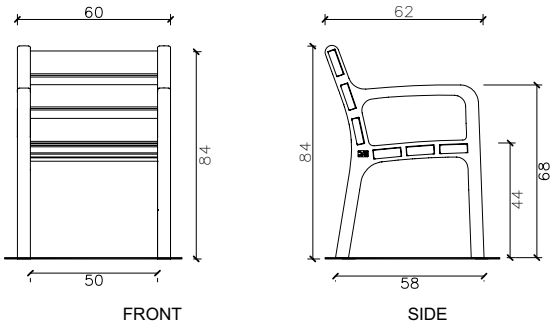
Installation

Drill pavement (Ø 12mm) and fill with resin. Tightly screw the 4 stud bolts DIN 913 M-10 x100. Center and caulk the bench foot all around.

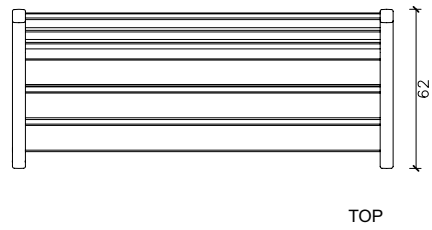
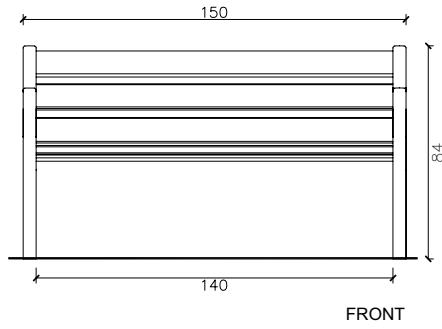


1.3 Geometry

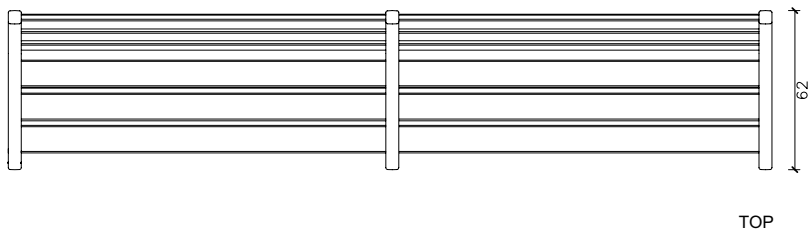
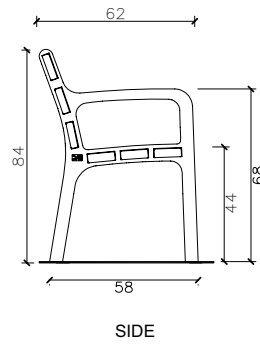
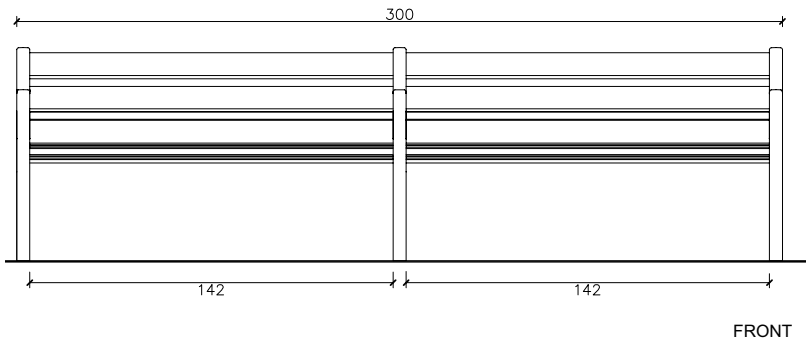
Chair Montseny



Bench Montseny 150



Bench Montseny 300









The names, trademarks and industrial models of the products have been logged in the corresponding registers. The technical information provided by Escofet about its products can be modified without prior notice.

Escofet 1886 S.A
Head office and production

Montserrat, 162
E 08760 Martorell
Barcelona - España
T. 0034 937 737 150
F. 0034 937 737 151

info@escofet.com
www.escofet.com



GA-2005/0072 SST-0090/2010 ER-0403/2016