

CARACTERÍSTICAS / CHARACTERISTICS

MATERIAL madera tropical certificada FSC® /
PRFV color RAL 7047

ACABADO tratado con aceite / -

SOPORTES acero zincado / acero inoxidable
pintado plata texturizado / -

COLOC. anclado con tacos de expansión

PESO banco 33kg / banca 20kg /
silla: 17kg / asiento: 9kg

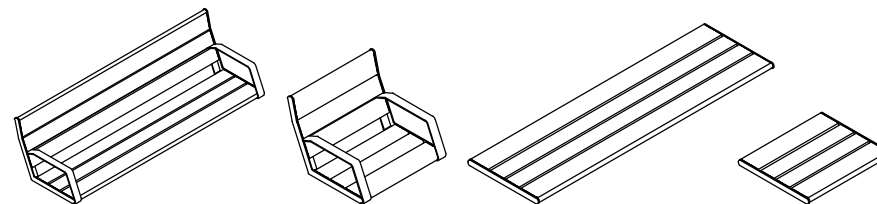
MATERIAL tropical wood FSC® certified /
GFRP color RAL 7047

FINISH treated with oil / -

SUPPORTS zinc plated steel / stainless steel
textured silver coated / -

FIXING anchored with expansion bolts

WEIGHT bench 33kg / backless bench 20kg /
chair: 17kg / seat: 9kg



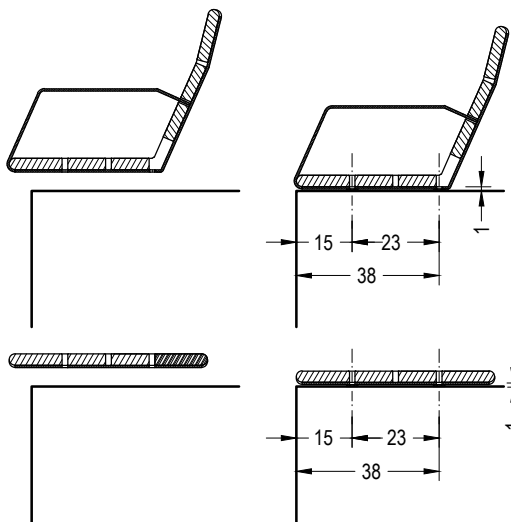
Update 16/05/2023
Cotas / Sizes cm

INSTALACIÓN / INSTALLATION

Centrar y colocar el accesorio sobre el banco o muro
y marcar agujeros colisos

Center and place the accessory on the bench or
retaining wall and mark the slotted holes

E:1/20



Taladrar el banco o muro y situar el accesorio

Drill bench or retaining wall and place the accessory

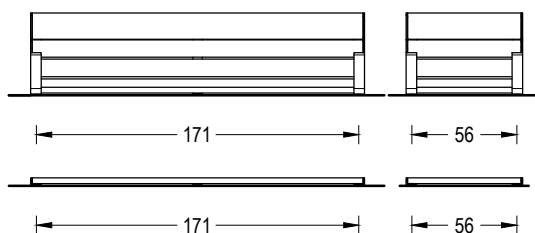
E:1/40

Insertar y roscar los 4 tacos de expansión 8 x 45mm

Insert and tightly 4 expansion bolts 8 x 45mm

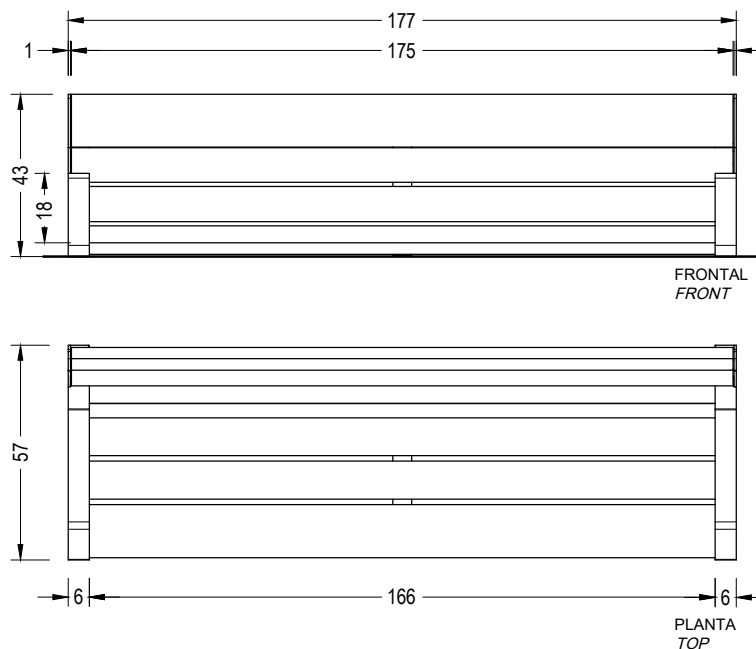
Incorpora arandelas de nylon para separar la madera del soporte

Includes nylon washers to separate the wood from the support

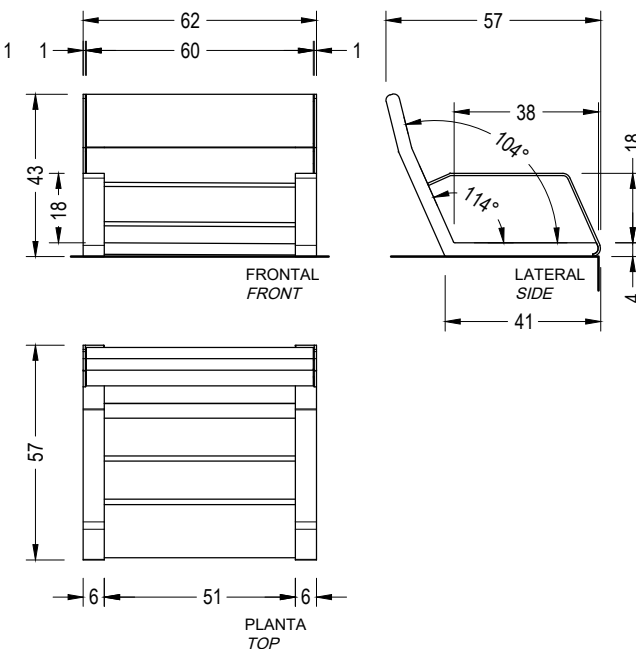


GEOMETRÍA / GEOMETRY

KANJI ACC. banco / bench

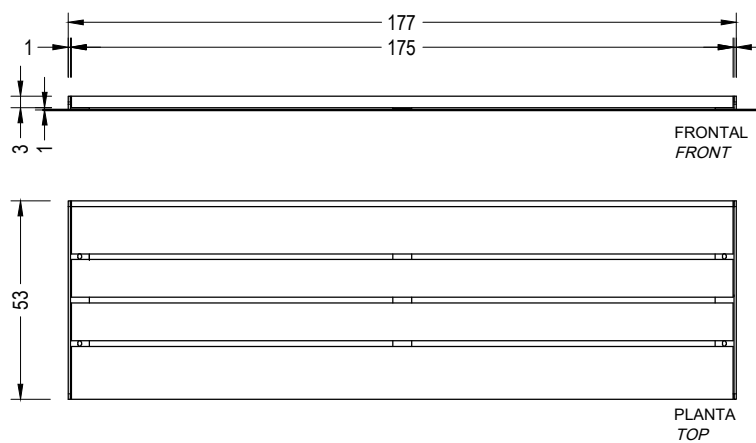


KANJI ACC. silla / chair

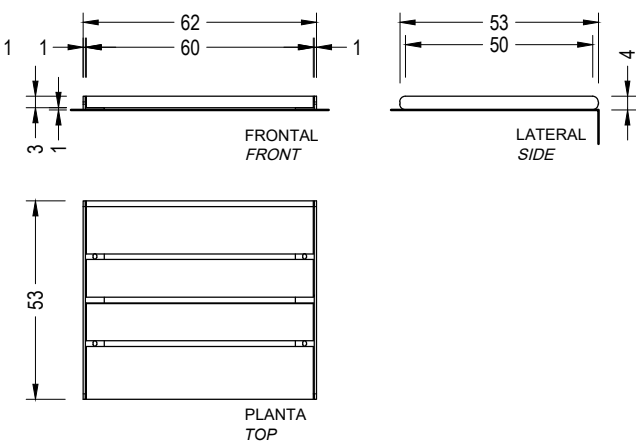


E:1/20

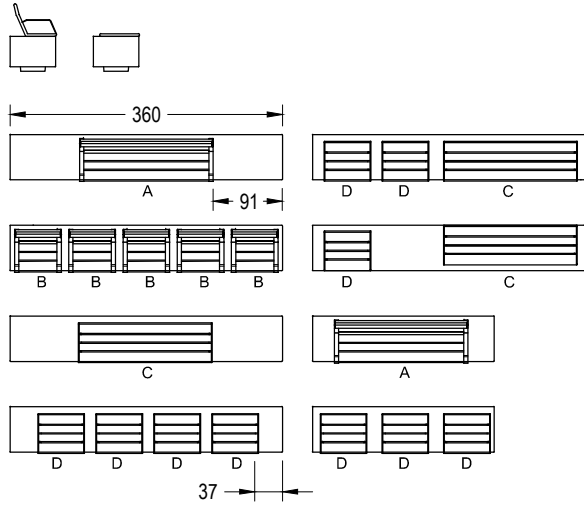
KANJI ACC. banca / backless bench



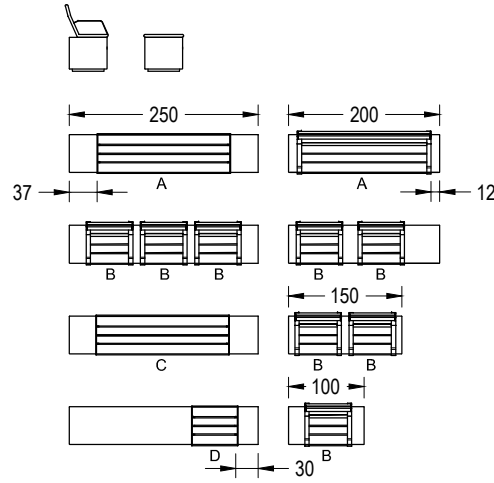
KANJI ACC. asiento / seat



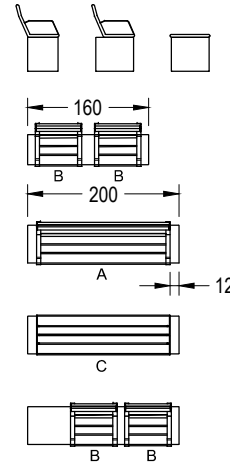
SOCRATES + KANJI ACC.



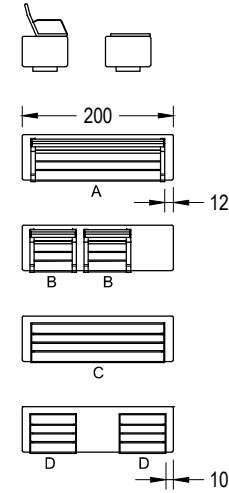
BOX + KANJI ACC.



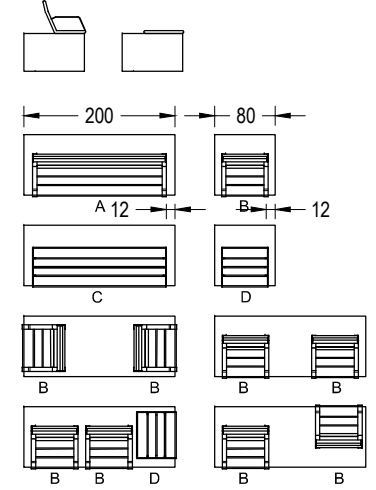
PORTIC + KANJI ACC.



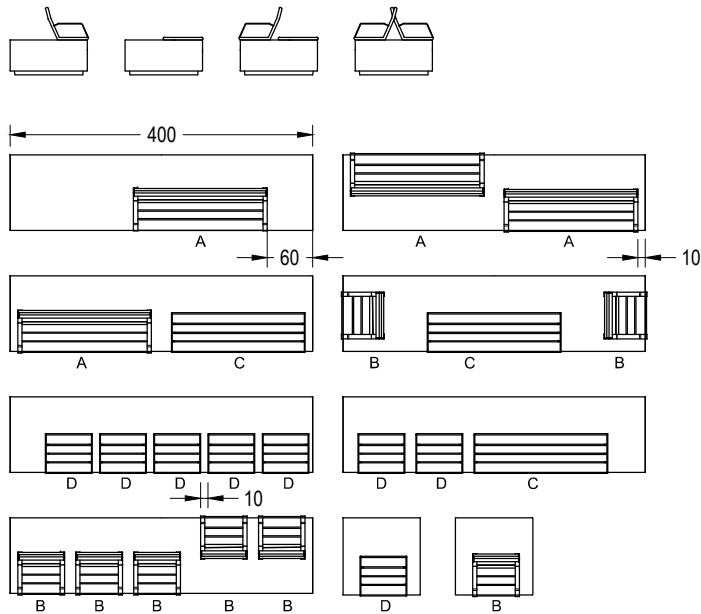
GARONNE + KANJI ACC.



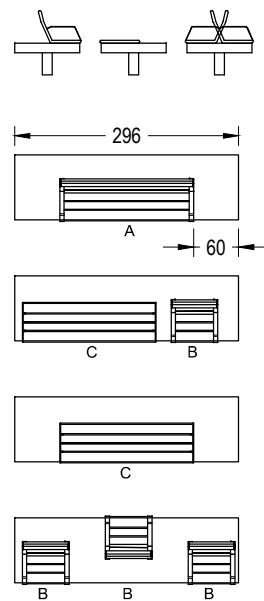
BARANA + KANJI ACC.



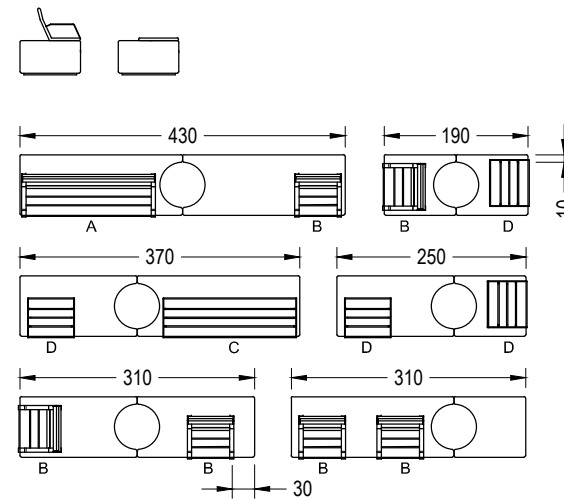
LONGO + KANJI ACC.



CANET + KANJI ACC.



GODOT + KANJI ACC.



BANCALOSA + KANJI ACC.

