


*Concret* seeks to review the classic “Romantic” bench, transmitting a sensation of enormous lightness that contrasts with the weightiness normally associated with concrete. The result is a modular system that permits the assembly of curved pieces to shape benches as meeting points, complemented by the seat and table that accompany the collection.

UHPC | Modular |  285 cm/màx. |  362 kg |  6/ud.

 Update 12.04.2022



#### Origin

Designed to furnish the outdoor public areas and gardens surrounding the Alta Diagonal Building in Barcelona. Circular benches on the pavement of the Diagonal avenue and chair in the gardens.

#### Modular

The concave bench permits the aggregation of two or three modules, forming a semi- or a three-quarter circle, respectively.

#### Material

The *Concret* collection is made up of a concave modular bench and chair with the same UHPC-Slimconcrete cross section, groove-like textured finish and standard chart colours. The cast aluminium supports are the same in both models. The low table with a diameter of 100 cm and height of 60 cm are also made from UHPC-Slimconcrete.

#### Installation

The bench, chair and table are anchored to the paving with DIN 913 M-10 x 100 threaded sleeves.



CONCRETE



**Escofet**<sup>®</sup>

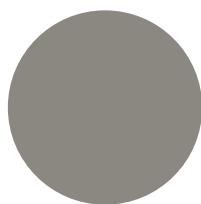
# 1. Chair, bench and table

Concret	Chair	Bench	Table 60
<b>Dimensions</b>	90 x 65 x 45 (84)cm	285 x 123 x 45 (84) cm	Ø100 x 60 cm
<b>Weight</b>	103 kg	362 kg	96 kg

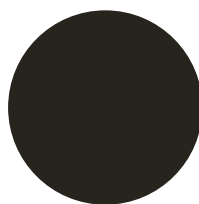
## 1.1 General features

<b>Material</b>	UHPC concrete	<b>Fixing</b>	Anchored with screws
<b>Finish</b>	Color watherproof		
<b>Texture</b>	Relief 1mm, groove-like pattern		
<b>Supports</b>	Cast aluminium	<b>Finish</b>	Silver textured

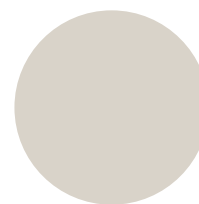
### Colours



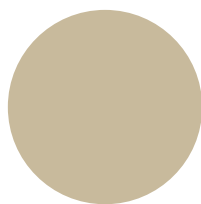
UHPC GR. Grey



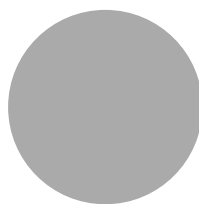
UHPC NG. Black



UHPC BL. White



UHPC BG. Beige

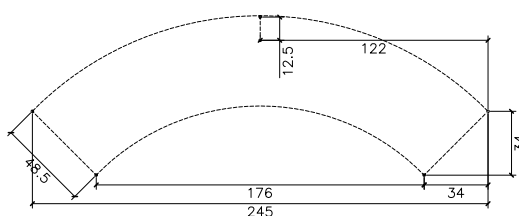
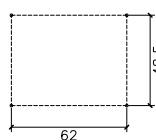
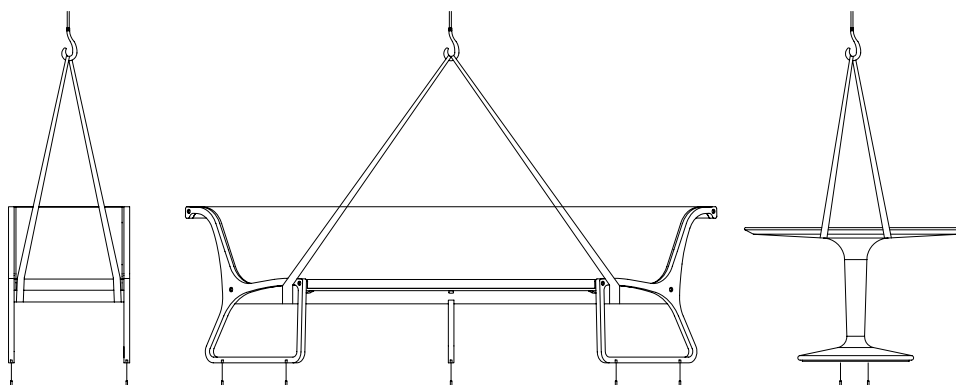


A. Silver aluminium

## 1.2 Installation system

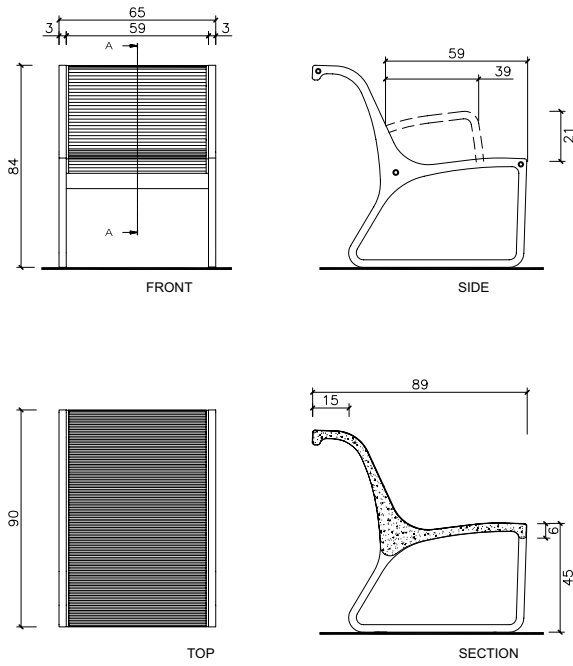
**Hoisting**  
(W= 103 kg / 362 kg / 96 kg)

**Installation**  
Drill pavement Ø14 and fill with resin or fat mortar. Screw the stud bolts DIN 913 M10 x 100. Center and caulk the bench foot all around.

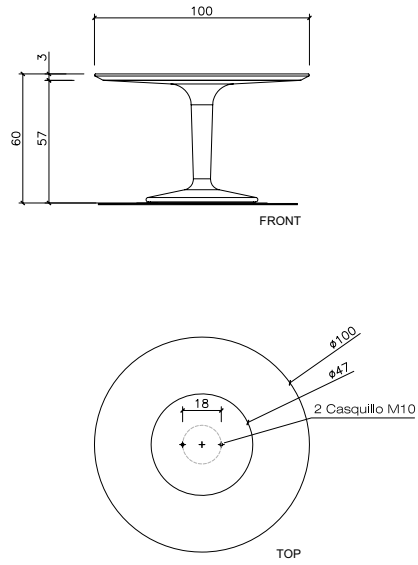


### 1.3 Geometry

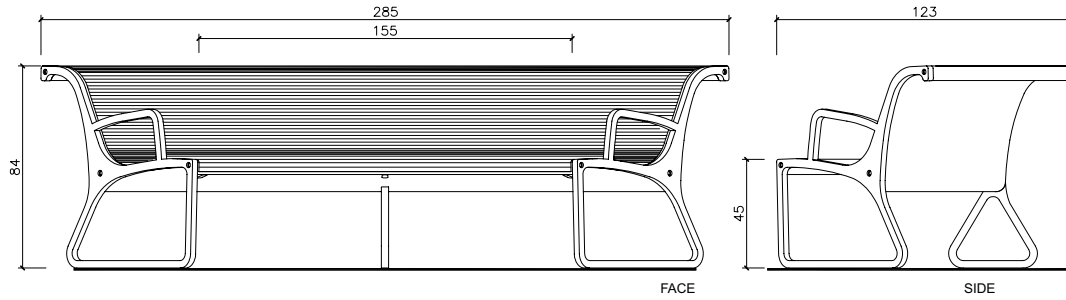
#### Concret chair



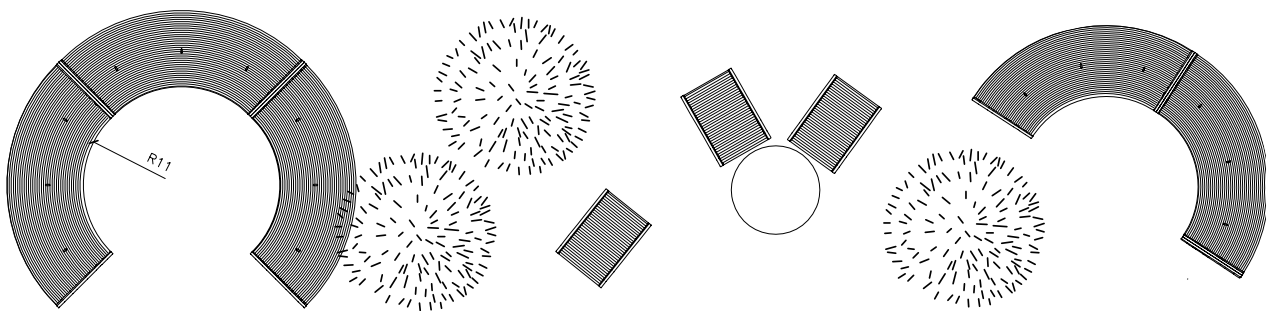
#### Concret table



#### Concret bench



#### Aggregations



3 benches

3 chairs + 1 table

2 benches

CONCRETE

Escofet®



## Warranty

5 years in concrete elements.

The names, trademarks and industrial models of the products have been logged in the corresponding registers. The technical information provided by Escofet about its products can be modified without prior notice.

Escofet 1886 S.A  
Head office and production

Montserrat, 162  
E 08760 Martorell  
Barcelona - España  
T. 0034 937 737 150  
F. 0034 937 737 151

info@escofet.com  
www.escofet.com



GA-2005/0072 SST-0090/2010 ER-0403/2016

