






A series formed by two combinable concrete bases: The *Longo* bench, *Longo* cube and two wooden seat models with metal frames, and with or without backs. The combination of all these elements permits the formation of lines of simple modular benches made from concrete combined with seats with a random orientation. The collection is completed with the *Longo* litter bin and the *Longo* ashtray, both of them modules with AISI 316 stainless steel accessories.

Concrete | FSC® Certified Wood |  400 cm/max |  2670 kg |  8

Add-ons:  | LED

 Update 25.02.2022



Origin

The word *longo* comes from the Latin word *longus*, which means long. The first *Longo* elements were installed in Vilablareix, Girona, as part of a project by the same author.

Modular

The collection includes a cube of 100x100x45 cm, a backless bench of 400x100x45 cm, two wooden seat models with or without backs and a double backrest. It's completed with two concrete modules measuring 60x100x45 cm, a litter bin and a ashtray, both with AISI 316 stainless steel accessories.

Material

Non-reinforced dry-mix concrete, it is manufactured in all the chart colours with an etched or polished and waterproofed finish. Accessories for creating a bench with or without a back of 280 cm, using tropical wood planks with a cross section of 135x30 mm screwed to three supports made from steel coated with zinc primer and oven-baked silver paint with a granular texture, prepared for anchoring to the concrete bench.

Installation

The concrete modules have a simple geometry and rest on the ground with no need for anchors. The wooden accessories are supplied fastened to the concrete modules in the agreed position.



LONGO



Escofet®

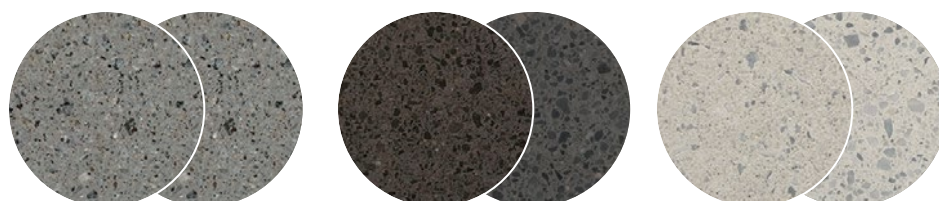
1. Bench

Longo	Backless bench	Cubo	Litter Bin	Ashtray
Dimensions	400 x 100 x 45 cm	100 x 100 x 45 cm	60 x 100 x 45 cm	60 x 100 x 45 cm
Weight	2670 kg	660 kg	575 kg	555 kg
Capacity			40 L	40 L
Accessories Longo	Acc. Seat	Acc. Chair	Acc. Backless bench	Acc. Bench
Dimensions	70 x 44 x 45 cm	70 x 62 x 74 cm	280 x 44 x 33 cm	280 x 62 x 74 cm
Weight	17 kg	34 kg	43 kg	88 kg
Accessories Longo	Acc. Double backrest			
Dimensions	282 x 22 x 46 cm			
Weight	60 kg			

1.1 General features

Material	Concrete	Fixing	Free-standing
Finish	Etched and waterproofed / Polished and waterproofed		
Seat	Tropical wood FSC®	Finish	Treated with lasur
Supports	Zinc plated steel / Stainless steel		
Finish	Textured Silver coated finish. Category of atmospheric corrosivity C5 according to UNE EN ISO 12944-2. / Shotblasted		

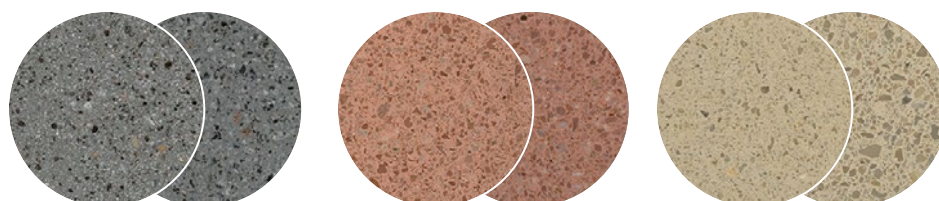
Colours



GR. Grey
GR P. Polished Grey

NG. Black
NG P. Polished Black

BL. White
BL P. Polished White



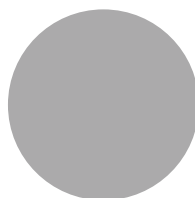
CA. Grey CA
CA P. Polished CA Grey

RA. Red
RA P. Polished Red

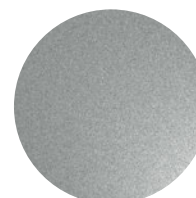
BG. Beige
BG P. Polished Beige



A. Tropical wood FSC®



B. Textured Silver steel



C. Stainless steel

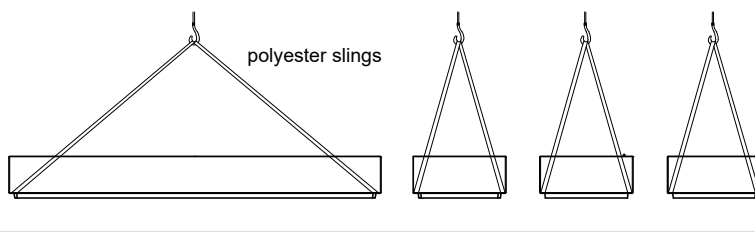


La marca de la gestión forestal responsable

1.2 Installation system

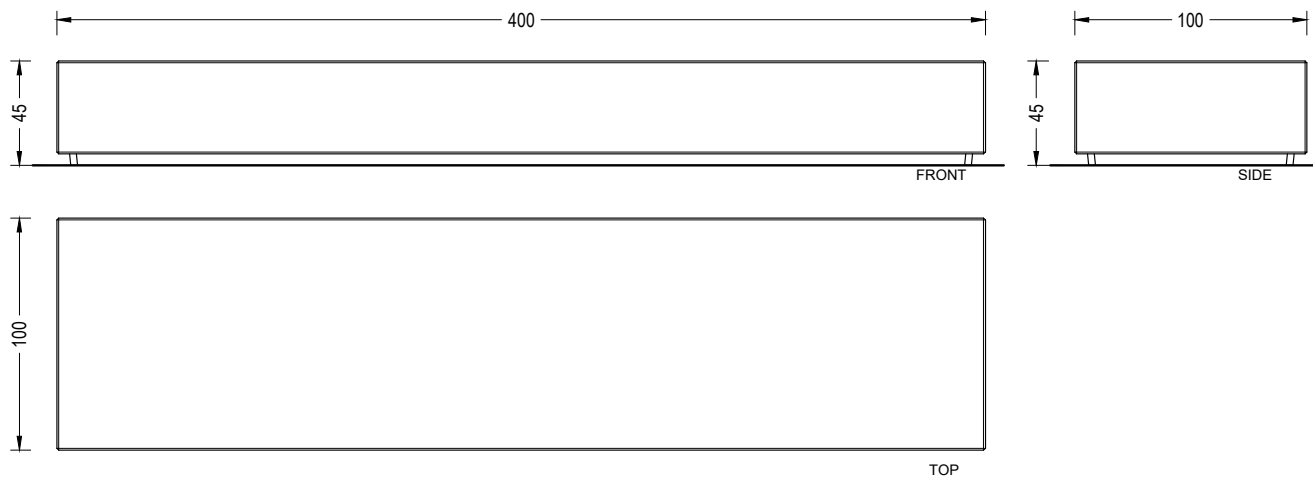
Hoisting

(W= 2670 kg / 660 kg / 575 kg / 555 kg)

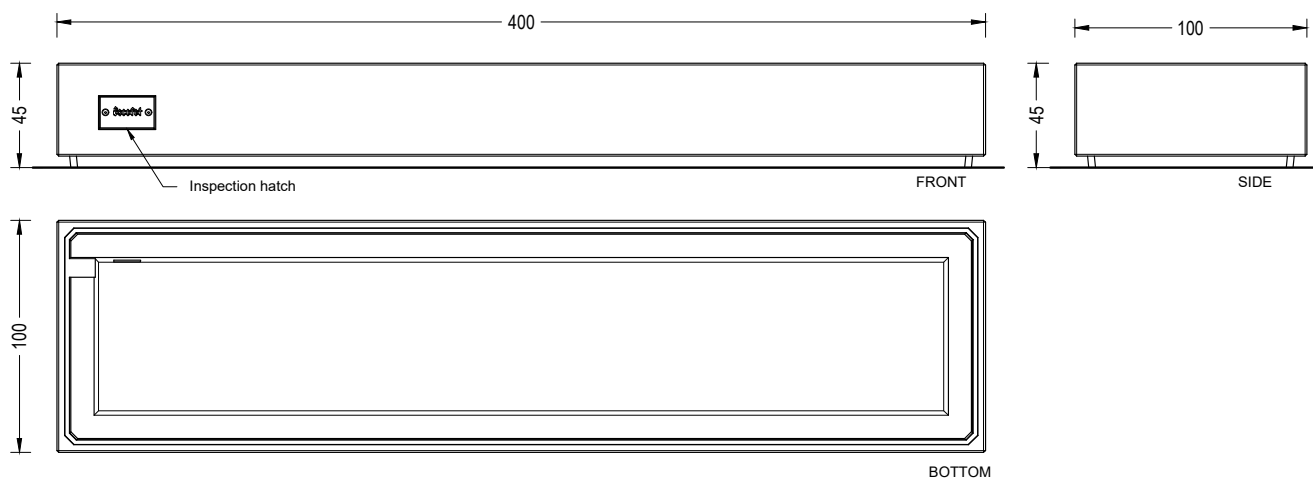


1.3 Geometry

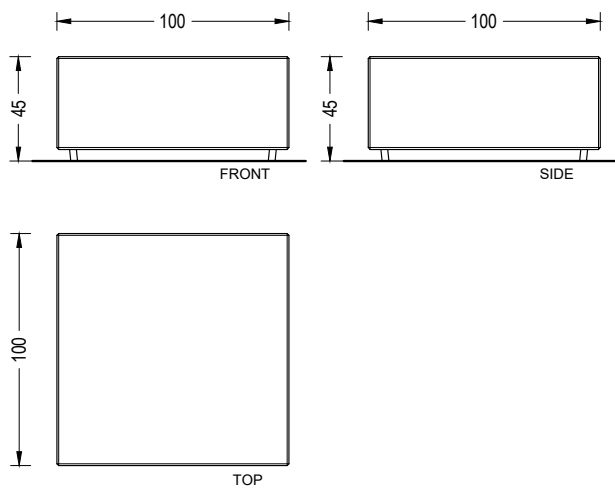
Backless bench



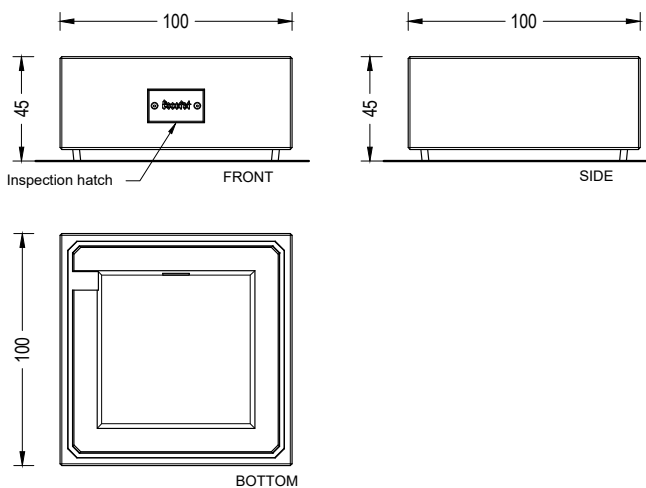
Backless bench LED



Cube LED

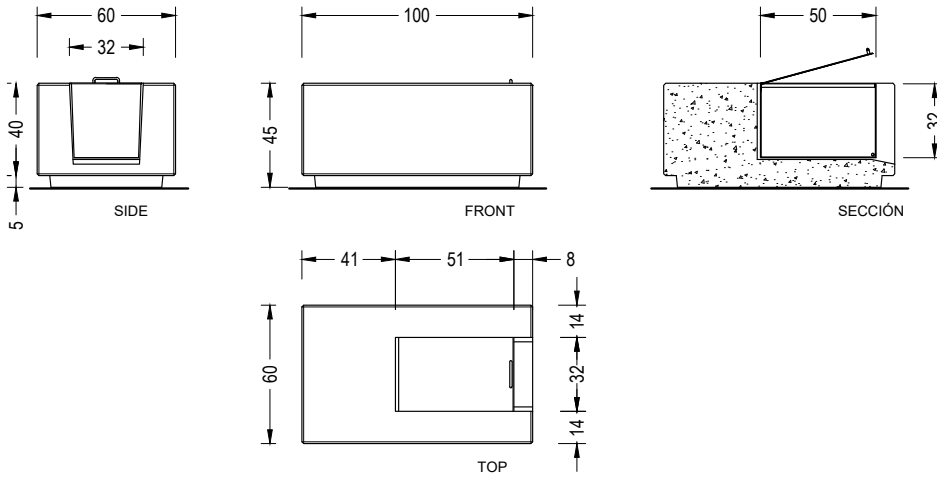


Cube LED

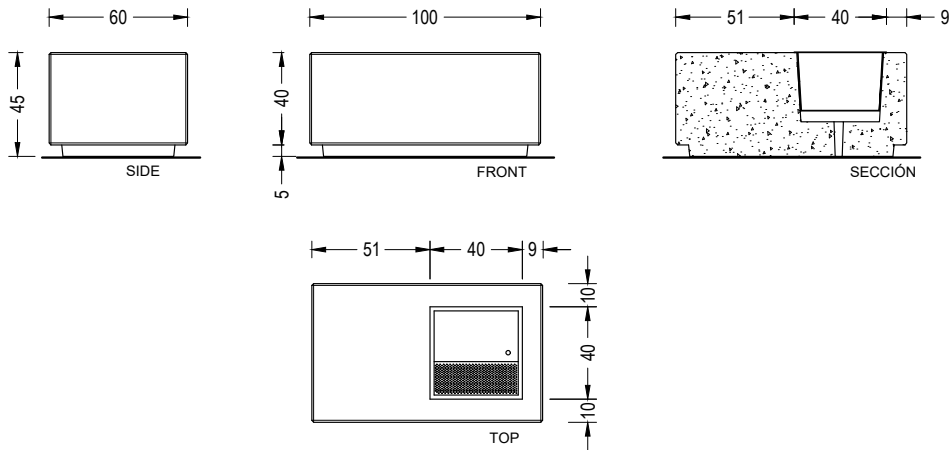


1.3 Geometry

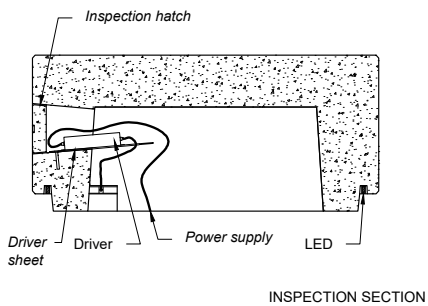
Litter bin



Ashtray



1.4 Lighting

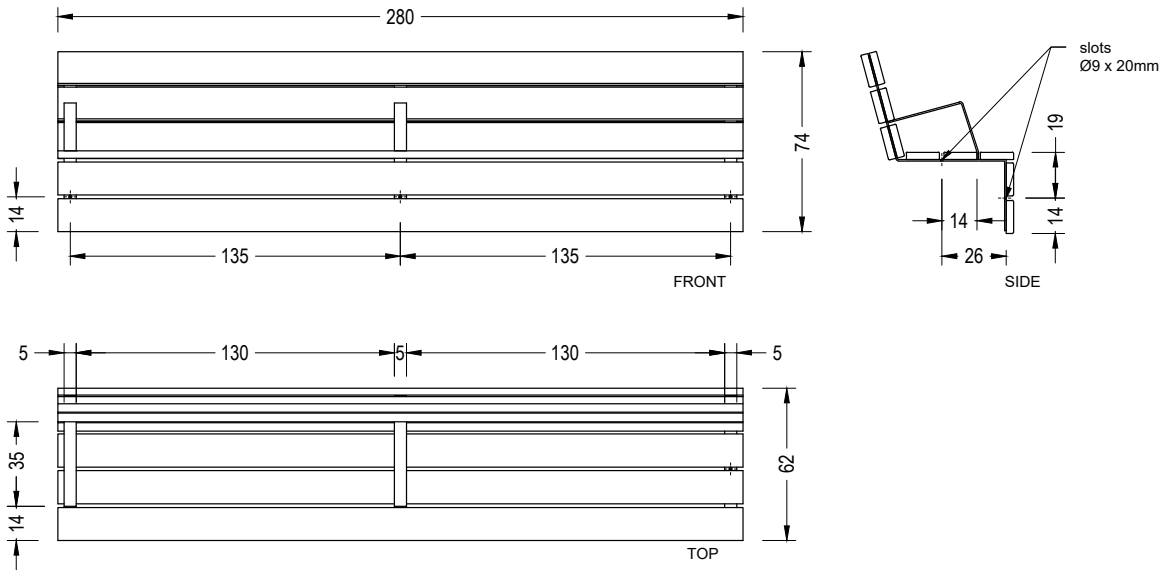


LED	
Operating voltage	24V
Power	14W/m
Color temperature	4000K / 6000K
Degree of protection	IP67

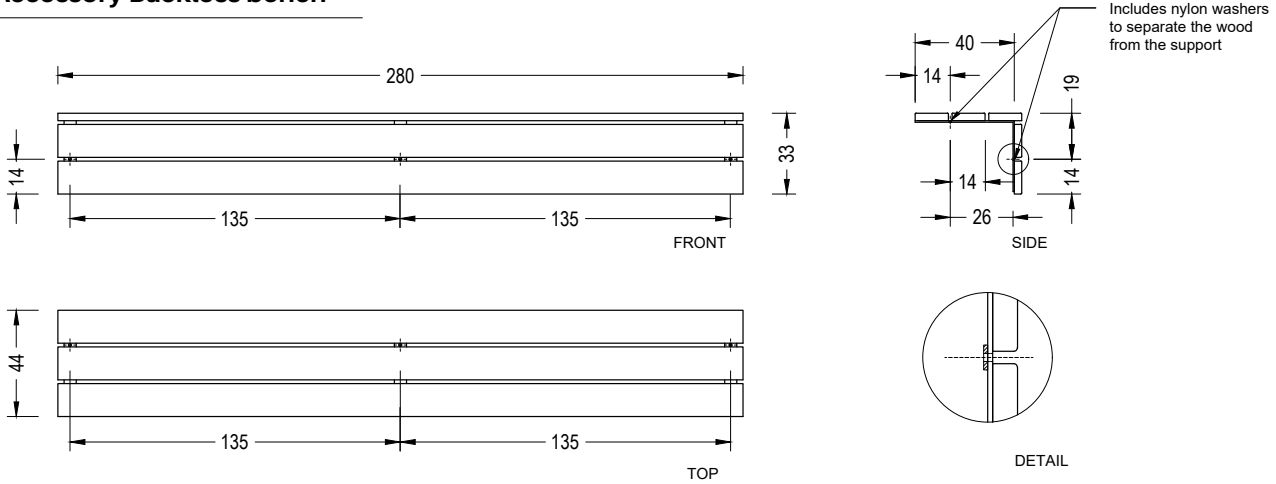
Driver Vossloh or similar	
Power	30W / 100W
Voltage	220-240V
Frequency	50-60Hz
Power factor	>0,9
Degree of protection	IP67

1.5 Accessories

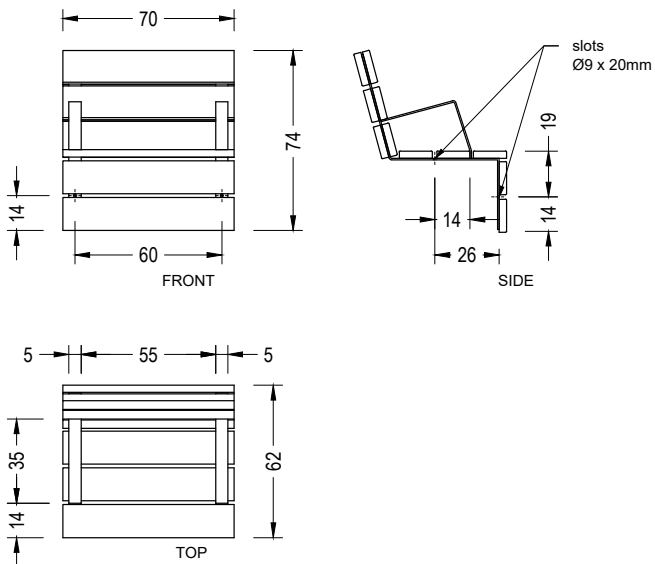
Accessory Bench



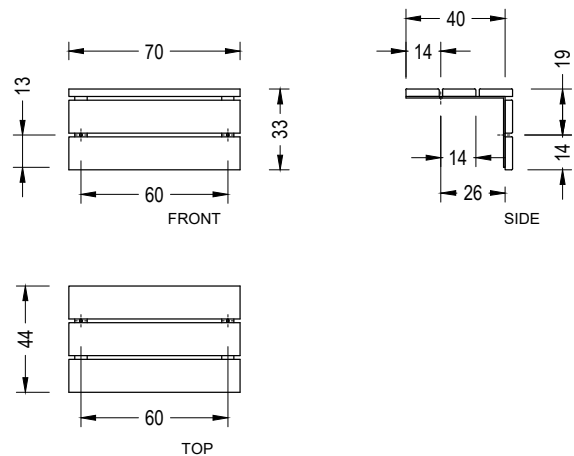
Accessory Backless bench



Accessory Chair

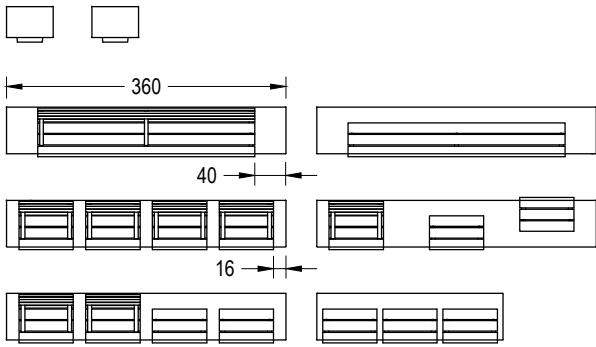


Accessory Seat

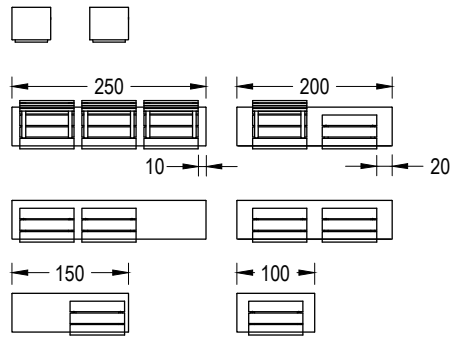


1.6 Agregaciones

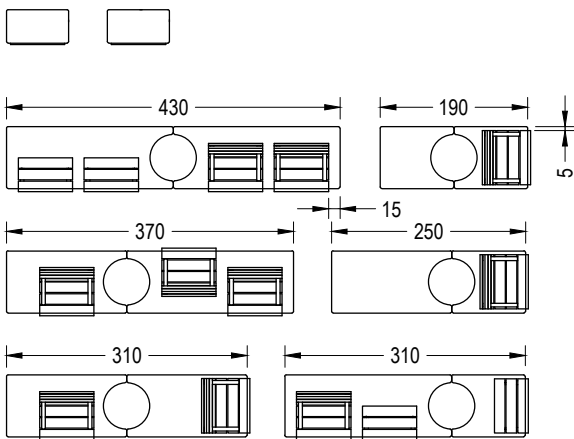
Sócrates + Acc. Longo



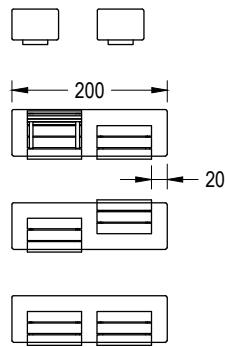
Box/Move + Acc. Longo



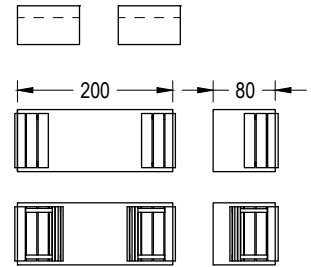
Godot + Acc. Longo



Garonne + Acc. Longo



Barana + Acc. Longo





Warranty

5 years in concrete elements.

The names, trademarks and industrial models of the products have been logged in the corresponding registers. The technical information provided by Escofet about its products can be modified without prior notice.

Escofet 1886 S.A
Head office and production

Montserrat, 162
E 08760 Martorell
Barcelona - España
T. 0034 937 737 150
F. 0034 937 737 151

info@escofet.com
www.escofet.com



GA-2005/0072 SST-0090/2010 ER-0403/2016