

Roc is an urban litter bin made from a single material using UHPC-Slimconcrete technology and is appropriate for areas with heavy traffic and intensive use due to its ease of handling and large 70-litre capacity. The litter bin is characterised by its rounded geometry and the grooved texture of its shell, which give it an austere, elegant and atemporal appearance.

UHPC | Ø 45 cm | 120 kg | 70 L

🔄 Update 19.09.2018



Origin

Due to its single-piece design and high resistance as compared to conventional sheet metal bins, it is similar to the concept of an urban rock.

Functional

The plastic bag is secured by an articulated stainless steel ring that is easy to operate. It has a hinged lid with an opening limited to a diameter of 18 cm to prevent the entry of objects with incompatible dimensions.

Material

UHPC Slimconcrete single-material body. Stainless steel bag securing ring and articulated stainless steel lid with a sandblasted finish.

Installation

Concealed installation by means of three threaded bolts with a rustproof protective finish in holes previously drilled in the paving and filled with epoxy resin or rich mortar.





1. Litter bin

| | |
|------------|--|
| Roc | |
|------------|--|

| | |
|-------------------|-------------|
| Dimensions | ø45 x 92 cm |
|-------------------|-------------|

| | |
|---------------|--------|
| Weight | 120 Kg |
|---------------|--------|

| | |
|-----------------|------|
| Capacity | 70 L |
|-----------------|------|

1.1 General characteristics

| | | | |
|-----------------|---------------|---------------|----------------------|
| Material | UHPC concrete | Fixing | Anchored with screws |
|-----------------|---------------|---------------|----------------------|

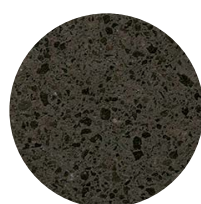
| | | | |
|---------------|-------------------------|----------------|-----------------|
| Finish | Etched and waterproofed | Texture | Grooved surface |
|---------------|-------------------------|----------------|-----------------|

| | | | |
|-------------|--------------------------|-----------------------|---------------------------------------|
| Ring | Stainless steel AISI 304 | Lid (optional) | Stainless steel AISI 304 sand-blasted |
|-------------|--------------------------|-----------------------|---------------------------------------|

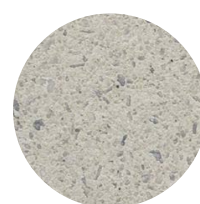
Colours



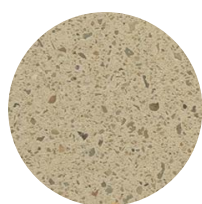
UHPC GR. Grey



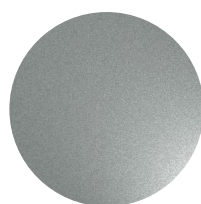
UHPC NG. Black



UHPC BL. White



UHPC BG. Beige

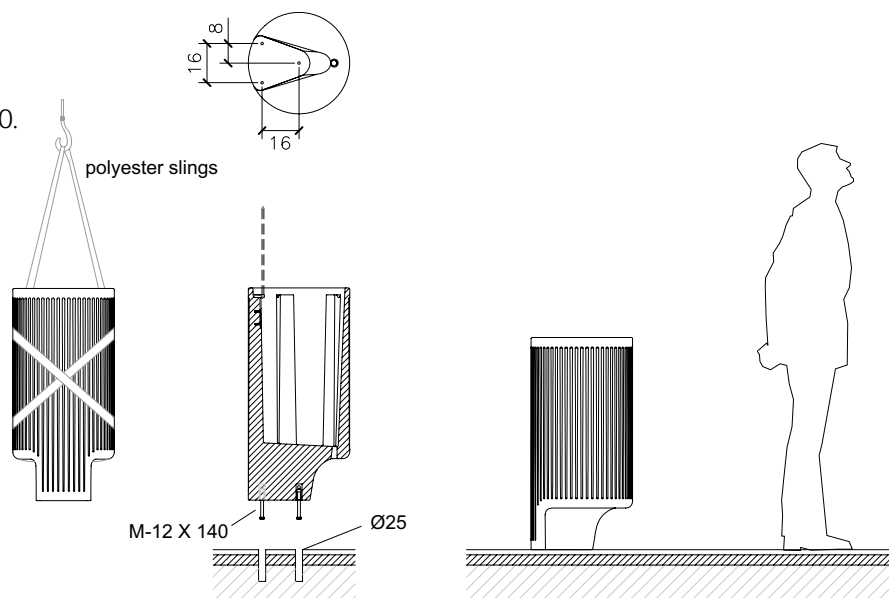


AC. Stainless steel

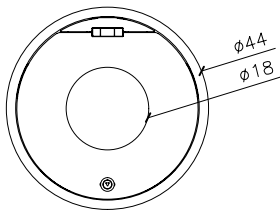
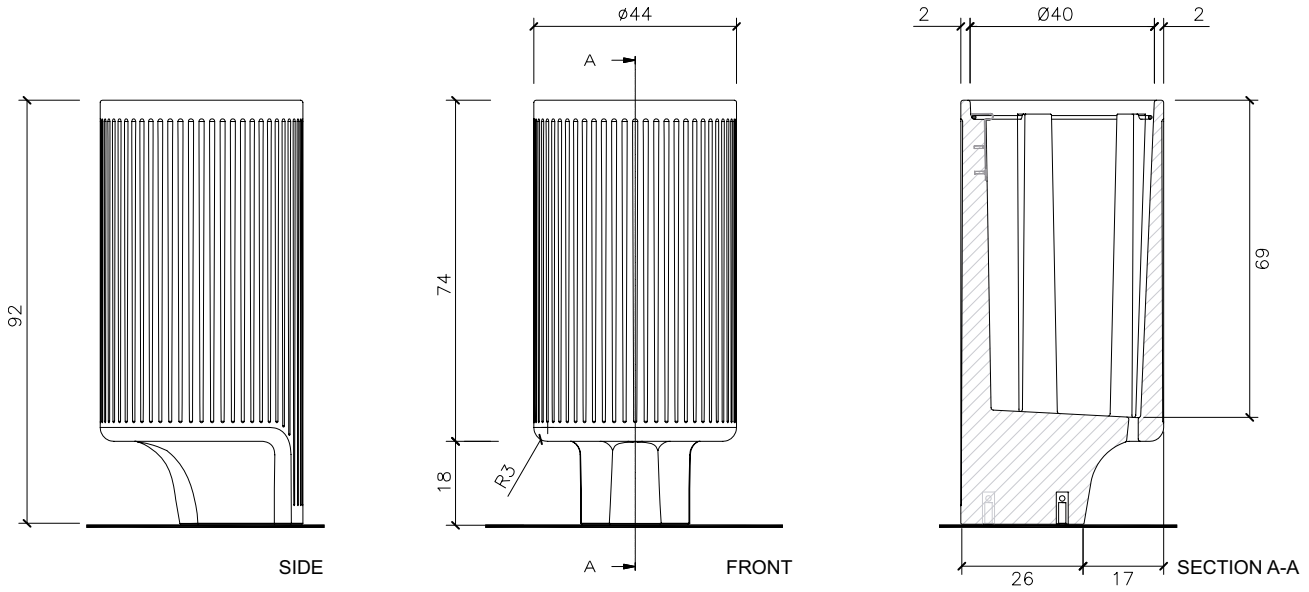
1.2 Sistem fixing

Hoisting
(W=120 Kg)

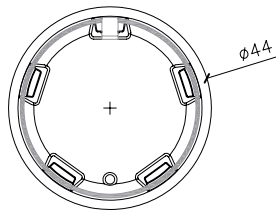
Installation
Tightly screw the 3 stud bolts M-12 x140. Drill pavement and fill with resin or fat mortar. Center and caulk.



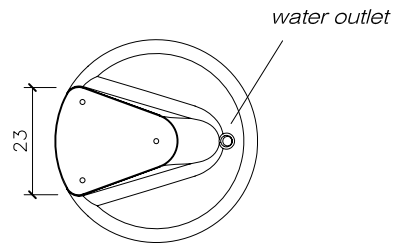
Roc



TOP WITH LID

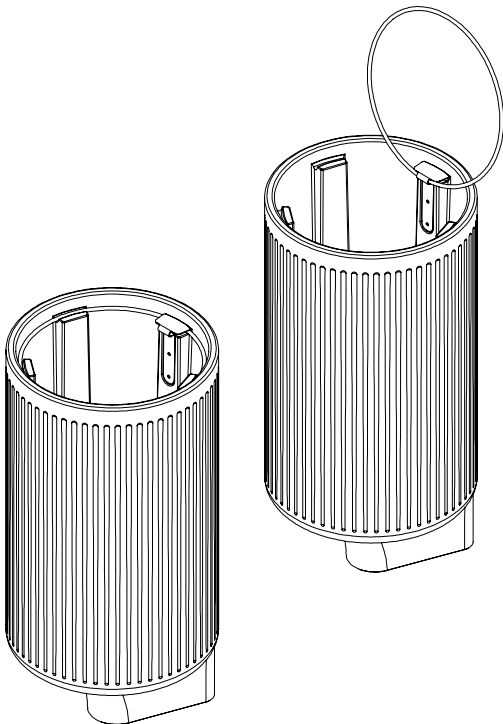


TOP WITHOUT LID

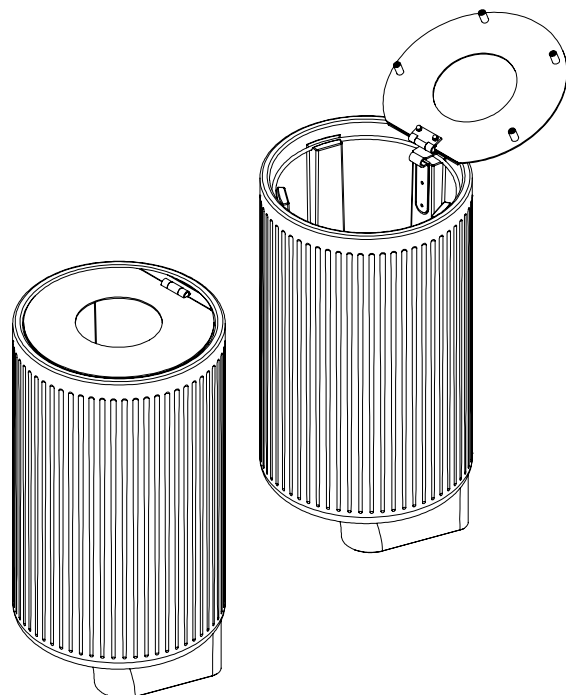


BOTTOM

Roc without lid



Roc with lid





Warranty

5 years in concrete elements.

The names, trade marks and industrial models of the products have been deposited in the corresponding registries. The technical information provided by Escofet about its products may be modified without prior notice.

Escofet 1886 S.A
Oficina central y producción

Montserrat, 162
E 08760 Martorell
Barcelona - España
T. 0034 937 737 150
F. 0034 937 737 151

info@escofet.com
www.escofet.com

Síguenos en



GA-2005/0072 SST-0090/2010 ER-0403/2016